

RESOLUTION NO. 2924

A RESOLUTION AUTHORIZING CITY STAFF TO PURCHASE A 5-YARD COMBINATION CLEANING TRUCK FROM MCCOY FREIGHTLINER OF PORTLAND.

WHEREAS, City of Wilsonville Public Works has identified a need for a 5-yard combination cleaning truck for the maintenance of underground utility infrastructure; and

WHEREAS, The City's FY 21-22 approved budget includes funding for this purchase in the amount of \$316,000.00; and

WHEREAS, McCoy Freightliner of Portland offers the desired equipment and related up-fit components through the State of Oregon Cooperative Purchasing Agreement; and

WHEREAS, use of the State of Oregon Cooperative Purchasing Agreement satisfies competitive procurement requirements; and

WHEREAS, a cost quote meeting all specified requirements was submitted by McCoy Freightliner of Portland in the amount of \$333,016; and

WHEREAS, the City Council has duly appointed itself as the Local Contract Review Board, and acting as the Local Contract Review Board, is authorized to award the purchase contract as recommended by staff.

NOW, THEREFORE, THE CITY OF WILSONVILLE RESOLVES AS FOLLOWS:

Section 1. Based on the above recitals, which are incorporated herein, the City Council, acting as the Local Contract Review Board, does hereby approve and authorize City staff to award a purchase contract for a 5-yard combination cleaning truck, to McCoy Freightliner of Portland, in the amount of \$333,016.00.

Section 2. This resolution is effective upon adoption.

ADOPTED by the Wilsonville City Council at a regular meeting there of this 20th day of September 2021, and filed with the Wilsonville City Recorder this date.

DocuSigned by:
Julie Fitzgerald
8A974AF3ADE042E...
Julie Fitzgerald, Mayor

ATTEST:

DocuSigned by:
Kimberly Veliz
E781DE10276B498...

Kimberly Veliz, City Recorder

SUMMARY OF VOTES:

Mayor Fitzgerald	Yes
Council President Akervall	Yes
Councilor Lehan	Yes
Councilor West	Yes
Councilor Linville	Yes

EXHIBIT:

- A. Good and Service Contract (Cooperative Purchasing Agreement)

CITY OF WILSONVILLE GOODS AND SERVICES CONTRACT

This Goods and Services Contract (“Contract”) is made and entered into on this ____ day of _____ 2021 (“Effective Date”) by and between the **City of Wilsonville**, a municipal corporation of the State of Oregon (hereinafter referred to as the “City”), and **JMR Group, LLC**, an Oregon limited liability company, doing business as **McCoy Freightliner** (hereinafter referred to as “Supplier”).

RECITALS

WHEREAS, the City wishes to purchase equipment that Supplier is capable of providing, under terms and conditions hereinafter described; and

WHEREAS, Supplier represents that Supplier is qualified to perform the services described herein on the basis of specialized experience and technical expertise; and

WHEREAS, Supplier is prepared to provide such services, as the City does hereinafter require.

NOW, THEREFORE, in consideration of these mutual promises and the terms and conditions set forth herein, the parties agree as follows:

AGREEMENT

Section 1. Goods Purchased

Supplier will supply the new equipment described on the attached **Exhibit A** and **Exhibit B**, incorporated by reference herein (“Equipment”).

Section 2. Public Contracting Procurement Process Used

In lieu of following the public procurement process, the City is allowed to make this purchase pursuant to the **Price Agreement** between Supplier and the State of Oregon, which was drafted and adopted to allow for Cooperative Purchasing by other government entities as long as following the terms of the Price Agreement, modified only to address the specific equipment being ordered and the delivery method. Therefore, all applicable terms and conditions of the Price Agreement are incorporated by reference herein as if fully set forth herein, along with the attached **Exhibit A**, **Exhibit B**, and **Exhibit C**. All of the foregoing, plus the terms set forth in this Agreement shall be collectively referred to herein as the Contract. Should any term of this Agreement directly conflict with the Price Agreement, such that the two cannot be read together, the Price Agreement will control.

Section 3. Equipment Price and Delivery Date

The total price of the Equipment and delivery is THREE HUNDRED THIRTY-THREE THOUSAND SIXTEEN DOLLARS (\$333,016), as shown on **Exhibit A**, and includes delivery FOB

to 28879 SW Boberg Road, Wilsonville, Oregon 97070 (“Delivery Location”). Sale shall occur upon inspection of the Equipment and acceptance of delivery at the Delivery Location. The City will pay Supplier in full within 30 days of receipt and acceptance of delivery of the Equipment. Supplier will schedule a date and time for delivery. Delivery must occur on or before May 1, 2022. The Equipment price is all inclusive and includes, but is not limited to, all work-related costs, expenses, salaries or wages, plus fringe benefits and contributions, including payroll taxes, workers compensation insurance, liability insurance, profit, pension benefits, and all other contributions and benefits, office expenses, travel expenses, mileage, and all other indirect and overhead charges, including, but not limited to, the recently enacted Oregon Corporate Activity Tax (CAT).

Section 4. Subcontractors and Assignments

Supplier shall not assign any of Supplier’s rights acquired hereunder without obtaining prior written approval from the City. Some Work may be performed by persons other than Supplier, provided Supplier advises the City of the names of such subcontractors and the services which they intend to provide, and the City specifically agrees, in writing, to such subcontracting. Provider however, Supplier will contract with Owen Equipment to provide the body uplift, which is a critical part of this Contract. Supplier acknowledges such services will be provided to the City pursuant to a subcontract(s) between Supplier and subcontractor(s) and no privity of contract exists between the City and the subcontractor(s). Unless otherwise specifically provided by this Contract, the City incurs no liability to third persons for payment of any compensation provided herein to Supplier. Any attempted assignment of this Contract without the written consent of the City shall be void. Except as otherwise specifically agreed, all costs for services performed by others on behalf of Supplier shall not be subject to additional reimbursement by the City.

Section 5. Warranties.

Supplier hereby agrees that Supplier will ensure that all warranty work is performed as provided in this Contract. Warranty work will be performed at the City’s location, unless the work cannot reasonably be performed on site. In that case, Supplier will be responsible for transporting the Equipment in need of warranty work from Wilsonville and back to Wilsonville, at Supplier’s cost. Supplier agrees to provide full warranty for labor and materials for all Equipment delivered to the City for a length of time not less than the manufacturer warranty for the specific Equipment. The warranties are as provided in the Price Agreement and as identified under General Services, 995-090 in **Exhibit A** and more particularly described in **Exhibit C**. The Vactor warranty is as provided on **Exhibit B**. All warranties are from the date of delivery and acceptance by the City, and are in addition to, and not in lieu of, any other warranties provided by various manufacturers.

Section 6. Contract Modification; Change Orders

Any modification of the provisions of this Contract shall not be enforceable or binding unless reduced to writing and signed by both the City and Supplier.

Section 7. Notices

Any notice required or permitted under this Contract shall be in writing and shall be given when actually delivered in person or forty-eight (48) hours after having been deposited in the United States

mail as certified or registered mail, addressed to the addresses set forth below, or to such other address as one party may indicate by written notice to the other party.

To City: City of Wilsonville
Attn: Martin Montalvo, Public Works Operations Manager
29799 SW Town Center Loop East
Wilsonville, OR 97070-9454

To Supplier: JMR Group, LLC, dba McCoy Freightliner
Attn: Dylan Dripps
9622 NE Vancouver Way
Portland OR 97211

Section 8. Miscellaneous Provisions

8.1. Integration. This Contract, including all exhibits attached hereto, contains the entire and integrated agreement between the parties and supersedes all prior written or oral discussions, representations, or agreements. In case of conflict among these or any other documents, the provisions of this Contract shall control, and the terms most favorable to the City, within the City's sole discretion, will apply.

8.2. Legal Effect and Assignment. This Contract shall be binding upon and inure to the benefit of the parties hereto and their respective heirs, personal representatives, successors, and assigns. This Contract may be enforced by an action at law or in equity.

8.3. Equal Opportunity. No person shall be discriminated against by Supplier or any subcontractor in the performance of this Contract on the basis of sex, gender, race, color, creed, religion, marital status, age, disability, sexual orientation, gender identity, or national origin. Any violation of this provision shall be grounds for cancellation, termination, or suspension of the Contract, in whole or in part, by the City.

8.4. No Assignment. Except as provided herein, Supplier may not delegate the performance of any obligation to a third party unless mutually agreed, in writing.

8.5. Adherence to Law. This Contract shall be subject to, and Supplier shall adhere to, all applicable federal, state, and local laws (including the Wilsonville Code and Public Works Standards), including but not limited to laws, rules, regulations, and policies concerning employer and employee relationships, workers compensation, and minimum and prevailing wage requirements. Any certificates, licenses, or permits that Supplier is required by law to obtain or maintain in order to perform the Work described in this Contract shall be obtained and maintained throughout the term of this Contract.

8.6. Governing Law. This Contract shall be construed in accordance with and governed by the laws of the State of Oregon, regardless of any conflicts of laws. All contractual provisions required by ORS Chapters 279A, 279B, 279C, and related Oregon Administrative Rules to be included in public agreements are hereby incorporated by reference and shall become a part of this Contract as if fully set forth herein.

8.7. Jurisdiction. Jurisdiction and venue for any dispute will be in Clackamas County Circuit Court.

8.8. Legal Action/Attorney Fees. If a suit, action, or other proceeding of any nature whatsoever (including any proceeding under the U.S. Bankruptcy Code) is instituted in connection with any controversy arising out of this Contract or to interpret or enforce any rights or obligations hereunder, the prevailing party shall be entitled to recover attorney, paralegal, accountant, and other expert fees and all other fees, costs, and expenses actually incurred and reasonably necessary in connection therewith, as determined by the court or body at trial or on any appeal or review, in addition to all other amounts provided by law. If the City is required to seek legal assistance to enforce any term of this Contract, such fees shall include all of the above fees, whether or not a proceeding is initiated. Payment of all such fees shall also apply to any administrative proceeding, trial, and/or any appeal or petition for review.

8.9. Nonwaiver. Failure by either party at any time to require performance by the other party of any of the provisions of this Contract shall in no way affect the party's rights hereunder to enforce the same, nor shall any waiver by the party of the breach hereof be held to be a waiver of any succeeding breach or a waiver of this nonwaiver clause.

8.10. Severability. If any provision of this Contract is found to be void or unenforceable to any extent, it is the intent of the parties that the rest of the Contract shall remain in full force and effect, to the greatest extent allowed by law.

8.11. Modification. This Contract may not be modified except by written instrument executed by Supplier and the City.

8.12. Time of the Essence. Time is expressly made of the essence in the performance of this Contract.

8.13. Calculation of Time. Except where the reference is to business days, all periods of time referred to herein shall include Saturdays, Sundays, and legal holidays in the State of Oregon, except that if the last day of any period falls on any Saturday, Sunday, or legal holiday observed by the City, the period shall be extended to include the next day which is not a Saturday, Sunday, or legal holiday. Where the reference is to business days, periods of time referred to herein shall exclude Saturdays, Sundays, and legal holidays observed by the City. Whenever a time period is set forth in days in this Contract, the first day from which the designated period of time begins to run shall not be included.

8.14. Headings. Any titles of the sections of this Contract are inserted for convenience of reference only and shall be disregarded in construing or interpreting any of its provisions.

8.15. Number, Gender and Captions. In construing this Contract, it is understood that, if the context so requires, the singular pronoun shall be taken to mean and include the plural, the masculine, the feminine and the neuter, and that, generally, all grammatical changes shall be made, assumed, and implied to individuals and/or corporations and partnerships. All captions and paragraph headings

used herein are intended solely for convenience of reference and shall in no way limit any of the provisions of this Contract.

8.16. Interpretation. As a further condition of this Contract, the City and Supplier acknowledge that this Contract shall be deemed and construed to have been prepared mutually by each party and it shall be expressly agreed that any uncertainty or ambiguity existing therein shall not be construed against any party. In the event that any party shall take an action, whether judicial or otherwise, to enforce or interpret any of the terms of the contract, the prevailing party shall be entitled to recover from the other party all expenses which it may reasonably incur in taking such action, including attorney fees and costs, whether incurred in a court of law or otherwise.

8.17. Entire Agreement. This Contract, all documents attached to this Contract, and all Contract Documents and laws and regulations incorporated by reference herein, represent the entire agreement between the parties.

8.18. Counterparts. This Contract may be executed in one or more counterparts, each of which shall constitute an original Contract but all of which together shall constitute one and the same instrument.

8.19. Authority. Each party signing on behalf of Supplier and the City hereby warrants actual authority to bind their respective party.

The Supplier and the City hereby agree to all provisions of this Contract.

SUPPLIER:

CITY:

JMR GROUP, LLC,
dba McCoy Freightliner

CITY OF WILSONVILLE

By: _____

By: _____

Print Name: _____

Bryan Cosgrove
As Its: City Manager

As Its: _____

Employer I.D. No. _____

APPROVED AS TO FORM:

Barbara A. Jacobson, City Attorney
City of Wilsonville, Oregon

EXHIBIT A

Prepared for:
Martin Montalvo, City of
Wilsonville Through
DEPARTMENT OF
ADMINISTRATIVE SERVICES,
PA 1640

Prepared by:
Dylan Dripps
MCCOY FREIGHTLINER OF
PORTLAND
9622 N.E. VANCOUVER WAY
PORTLAND, OR 97211
Phone: 503-283-0345

A proposal for
City of Wilsonville through
Department of Administrative Services, PA 1640

Prepared by
MCCOY FREIGHTLINER OF PORTLAND
Dylan and Kevin Dripps

Sept. 7th, 2021

2022 Freightliner M2 106 SB axle 40K GVW
2022 Chassis cost \$83,204.00
Add 2023 Model Year Escalator: \$1,100.00
Total chassis cost: \$84,304.00
Owen Equipment upfit: \$247,352.00
Estimated Oregon CAT tax: \$1,360.00
Total package price: \$333,016.00



Components shown may not reflect all spec'd options and are not to scale.



Prepared for:
 Martin Montalvo, City of
 Wilsonville Through
 DEPARTMENT OF
 ADMINISTRATIVE SERVICES,
 PA 1640

Prepared by:
 Dylan Dripps
 MCCOY FREIGHTLINER OF
 PORTLAND
 9622 N.E. VANCOUVER WAY
 PORTLAND, OR 97211
 Phone: 503-283-0345

Q U O T A T I O N

M2 106 CONVENTIONAL CHASSIS

SET BACK AXLE - TRUCK
 CUM L9 300 HP @ 2200 RPM; 2200 GOV RPM, 860 LB-FT
 @ 1200 RPM
 ALLISON 3500 RDS AUTOMATIC TRANSMISSION WITH
 PTO PROVISION
 RS-26-185 26,000# T-SERIES SINGLE REAR AXLE
 26,000# FLAT LEAF SPRING REAR SUSPENSION WITH
 HELPER AND RADIUS ROD

DETROIT DA-F-14.7-3 14,700# FF1 71.5 KPI/3.74 DROP
 SINGLE FRONT AXLE
 14,600# TAPERLEAF FRONT SUSPENSION
 106 INCH BBC FLAT ROOF ALUMINUM CONVENTIONAL
 CAB
 5975MM (235 INCH) WHEELBASE
 11/32X3-1/2X10-15/16 INCH STEEL FRAME
 (8.73MMX277.8MM/0.344X10.94 INCH) 120KSI
 1175MM (46 INCH) REAR FRAME OVERHANG

	TOTAL # OF UNITS (3)	PER UNIT	TOTAL
VEHICLE PRICE	\$	84,104	\$ 84,104
EXTENDED WARRANTY	\$	200	\$ 200
OWEN EQUIPMENT UPFIT	\$	247,352	\$ 247,352
CUSTOMER PRICE BEFORE TAX	\$	331,656	\$ 331,656

TAXES AND FEES

TAXES AND FEES	\$	1,360	\$ 1,360
OTHER CHARGES	\$	0	\$ 0

TRADE-IN

TRADE-IN ALLOWANCE	\$	(0)	\$ (0)
---------------------------	-----------	------------	---------------

BALANCE DUE	(LOCAL CURRENCY) \$	333,016	\$ 333,016
--------------------	----------------------------	----------------	-------------------

COMMENTS:

Projected delivery on ___ / ___ / ___ provided the order is received before ___ / ___ / ___.

APPROVAL:

Please indicate your acceptance of this quotation by signing below:

Customer: X _____ Date: ___ / ___ / ___.

Daimler Truck Financial

Financing that works for you.

See your local dealer for a competitive quote from Daimler Truck Financial, or contact us at Information@dtfoffers.com.
 Daimler Truck Financial offers a variety of finance, lease and insurance solutions to fit your business needs. For more information about our products and services, visit our website at www.daimler-truckfinancial.com.



Prepared for:
 Martin Montalvo, City of
 Wilsonville Through
 DEPARTMENT OF
 ADMINISTRATIVE SERVICES,
 PA 1640

Prepared by:
 Dylan Dripps
 MCCOY FREIGHTLINER OF
 PORTLAND
 9622 N.E. VANCOUVER WAY
 PORTLAND, OR 97211
 Phone: 503-283-0345

S P E C I F I C A T I O N P R O P O S A L

Data Code	Description	Weight Front	Weight Rear
Price Level			
PRL-24M	M2 PRL-24M (EFF:01/19/21)		
Data Version			
DRL-009	SPECPRO21 DATA RELEASE VER 009		
Vehicle Configuration			
001-172	M2 106 CONVENTIONAL CHASSIS	5,709	3,503
004-223	2022 MODEL YEAR SPECIFIED		
002-004	SET BACK AXLE - TRUCK		
019-002	STRAIGHT TRUCK PROVISION		
003-001	LH PRIMARY STEERING LOCATION		
General Service			
AA1-002	TRUCK CONFIGURATION		
AA6-002	DOMICILED, USA (EXCLUDING CALIFORNIA AND CARB OPT-IN STATES)		
A85-010	UTILITY/REPAIR/MAINTENANCE SERVICE		
A84-1GM	GOVERNMENT BUSINESS SEGMENT		
AA4-002	LIQUID BULK COMMODITY		
AA5-006	TERRAIN/DUTY: 10% (SOME) OF THE TIME, IN TRANSIT, IS SPENT ON NON-PAVED ROADS		
AB1-008	MAXIMUM 8% EXPECTED GRADE		
AB5-003	MAINTAINED GRAVEL OR CRUSHED ROCK - MOST SEVERE IN-TRANSIT (BETWEEN SITES) ROAD SURFACE		
995-091	MEDIUM TRUCK WARRANTY		
A66-99D	EXPECTED FRONT AXLE(S) LOAD : 14000.0 lbs		
A68-99D	EXPECTED REAR DRIVE AXLE(S) LOAD : 26000.0 lbs		
A63-99D	EXPECTED GROSS VEHICLE WEIGHT CAPACITY : 40000.0 lbs		
Truck Service			
AA3-034	SEWER/INDUSTRIAL VACUUM BODY		
AF3-1DN	VACTOR		
AF7-99D	EXPECTED BODY/PAYLOAD CG HEIGHT ABOVE FRAME "XX" INCHES : 32.0 in		



Prepared for:
 Martin Montalvo, City of
 Wilsonville Through
 DEPARTMENT OF
 ADMINISTRATIVE SERVICES,
 PA 1640

Prepared by:
 Dylan Dripps
 MCCOY FREIGHTLINER OF
 PORTLAND
 9622 N.E. VANCOUVER WAY
 PORTLAND, OR 97211
 Phone: 503-283-0345

Data Code	Description	Weight Front	Weight Rear
Engine			
101-3BN	CUM L9 300 HP @ 2200 RPM; 2200 GOV RPM, 860 LB-FT @ 1200 RPM	640	30
Electronic Parameters			
79A-070	70 MPH ROAD SPEED LIMIT		
79B-000	CRUISE CONTROL SPEED LIMIT SAME AS ROAD SPEED LIMIT		
79M-001	PTO MODE BRAKE OVERRIDE - SERVICE BRAKE APPLIED		
79P-002	PTO RPM WITH CRUISE SET SWITCH - 700 RPM		
80G-002	PTO MINIMUM RPM - 700		
80J-002	REGEN INHIBIT SPEED THRESHOLD - 5 MPH		
Engine Equipment			
99C-021	2016 ONBOARD DIAGNOSTICS/2010 EPA/CARB/GHG21 CONFIGURATION		
99D-010	NO 2008 CARB EMISSION CERTIFICATION		
13E-001	STANDARD OIL PAN		
105-001	ENGINE MOUNTED OIL CHECK AND FILL		
014-099	SIDE OF HOOD AIR INTAKE WITH FIREWALL MOUNTED DONALDSON AIR CLEANER		
124-1D7	DR 12V 160 AMP 28-SI QUADRAMOUNT PAD ALTERNATOR WITH REMOTE BATTERY VOLT SENSE		
292-235	(2) DTNA GENUINE, FLOODED STARTING, MIN 2000CCA, 370RC, THREADED STUD BATTERIES	10	
290-017	BATTERY BOX FRAME MOUNTED		
281-001	STANDARD BATTERY JUMPERS		
282-001	SINGLE BATTERY BOX FRAME MOUNTED LH SIDE UNDER CAB		
291-017	WIRE GROUND RETURN FOR BATTERY CABLES WITH ADDITIONAL FRAME GROUND RETURN		
289-001	NON-POLISHED BATTERY BOX COVER		
293-058	POSITIVE LOAD DISCONNECT WITH CAB MOUNTED CONTROL SWITCH MOUNTED OUTBOARD DRIVER SEAT	10	
295-029	POSITIVE AND NEGATIVE POSTS FOR JUMPSTART LOCATED ON FRAME NEXT TO STARTER	2	
107-032	CUMMINS TURBOCHARGED 18.7 CFM AIR COMPRESSOR WITH INTERNAL SAFETY VALVE		
108-002	STANDARD MECHANICAL AIR COMPRESSOR GOVERNOR		

Prepared for:
 Martin Montalvo, City of
 Wilsonville Through
 DEPARTMENT OF
 ADMINISTRATIVE SERVICES,
 PA 1640

Prepared by:
 Dylan Dripps
 MCCOY FREIGHTLINER OF
 PORTLAND
 9622 N.E. VANCOUVER WAY
 PORTLAND, OR 97211
 Phone: 503-283-0345

Data Code	Description	Weight Front	Weight Rear
131-013	AIR COMPRESSOR DISCHARGE LINE		
152-040	ELECTRONIC ENGINE INTEGRAL WARNING AND DERATE PROTECTION SYSTEM		
128-076	CUMMINS ENGINE INTEGRAL BRAKE WITH VARIABLE GEOMETRY TURBO ON/OFF	20	
016-1C2	RH OUTBOARD UNDER STEP MOUNTED HORIZONTAL AFTERTREATMENT SYSTEM ASSEMBLY WITH RH B-PILLAR MOUNTED VERTICAL TAILPIPE	30	25
28F-002	ENGINE AFTERTREATMENT DEVICE, AUTOMATIC OVER THE ROAD REGENERATION AND DASH MOUNTED REGENERATION REQUEST SWITCH		
239-200	INTEGRATED STACK AND B-PILLAR PIPE WITH MINIMUM STACK PROTRUSION ABOVE CAB		
237-1CR	RH CURVED VERTICAL TAILPIPE B-PILLAR MOUNTED ROUTED FROM STEP		
23U-001	6 GALLON DIESEL EXHAUST FLUID TANK		
30N-003	100 PERCENT DIESEL EXHAUST FLUID FILL		
43X-002	LH MEDIUM DUTY STANDARD DIESEL EXHAUST FLUID TANK LOCATION		
23Y-001	STANDARD DIESEL EXHAUST FLUID PUMP MOUNTING		
43Y-001	STANDARD DIESEL EXHAUST FLUID TANK CAP		
242-001	STAINLESS STEEL AFTERTREATMENT DEVICE/MUFFLER/TAILPIPE SHIELD		
273-018	HORTON DRIVEMASTER ADVANTAGE ON/OFF FAN DRIVE		
276-002	AUTOMATIC FAN CONTROL WITH DASH SWITCH AND INDICATOR LIGHT, NON ENGINE MOUNTED		
110-003	CUMMINS SPIN ON FUEL FILTER		
118-008	COMBINATION FULL FLOW/BYPASS OIL FILTER		
266-013	1100 SQUARE INCH ALUMINUM RADIATOR	70	
103-036	ANTIFREEZE TO -34F, ETHYLENE GLYCOL PRE- CHARGED SCA HEAVY DUTY COOLANT		
171-007	GATES BLUE STRIPE COOLANT HOSES OR EQUIVALENT		
172-001	CONSTANT TENSION HOSE CLAMPS FOR COOLANT HOSES		
270-016	RADIATOR DRAIN VALVE		
168-002	LOWER RADIATOR GUARD		
138-011	PHILLIPS-TEMRO 1000 WATT/115 VOLT BLOCK HEATER	4	



Prepared for:
 Martin Montalvo, City of
 Wilsonville Through
 DEPARTMENT OF
 ADMINISTRATIVE SERVICES,
 PA 1640

Prepared by:
 Dylan Dripps
 MCCOY FREIGHTLINER OF
 PORTLAND
 9622 N.E. VANCOUVER WAY
 PORTLAND, OR 97211
 Phone: 503-283-0345

Data Code	Description	Weight Front	Weight Rear
140-022	CHROME ENGINE HEATER RECEPTACLE MOUNTED UNDER LH DOOR		
134-001	ALUMINUM FLYWHEEL HOUSING		
132-004	ELECTRIC GRID AIR INTAKE WARMER		
155-055	DELCO 12V 39MT HD/OCP STARTER WITH THERMAL PROTECTION AND INTEGRATED MAGNETIC SWITCH	15	
Transmission			
342-584	ALLISON 3500 RDS AUTOMATIC TRANSMISSION WITH PTO PROVISION	200	60
Transmission Equipment			
343-323	ALLISON VOCATIONAL PACKAGE 172 - AVAILABLE ON 3000/4000 PRODUCT FAMILIES WITH VOCATIONAL MODEL RDS		
84B-012	ALLISON VOCATIONAL RATING FOR ON/OFF HIGHWAY APPLICATIONS AVAILABLE WITH ALL PRODUCT FAMILIES		
84C-023	PRIMARY MODE GEARS, LOWEST GEAR 1, START GEAR 1, HIGHEST GEAR 6, AVAILABLE FOR 3000/4000 PRODUCT FAMILIES ONLY		
84D-023	SECONDARY MODE GEARS, LOWEST GEAR 1, START GEAR 1, HIGHEST GEAR 6, AVAILABLE FOR 3000/4000 PRODUCT FAMILIES ONLY		
84E-017	S5 PERFORMANCE LIMITING PRIMARY SHIFT SCHEDULE, AVAILABLE FOR 3000/4000 PRODUCT FAMILIES ONLY		
84F-016	S5 PERFORMANCE LIMITING SECONDARY SHIFT SCHEDULE, AVAILABLE FOR 3000/4000 PRODUCT FAMILIES ONLY		
84G-013	2100 RPM PRIMARY MODE SHIFT SPEED		
84H-013	2100 RPM SECONDARY MODE SHIFT SPEED		
84N-200	FUEL SENSE 2.0 DISABLED - PERFORMANCE - TABLE BASED		
84U-000	DRIVER SWITCH INPUT - DEFAULT - NO SWITCHES		
84M-001	PUMP MODE INPUT ENABLED 3RD/4TH LOCKUP WIRED ON TCM INPUT AJ/BQ - ALLISON 5TH GEN TRANSMISSIONS		
353-022	VEHICLE INTERFACE WIRING CONNECTOR WITHOUT BLUNT CUTS, AT BACK OF CAB		
34C-001	ELECTRONIC TRANSMISSION CUSTOMER ACCESS CONNECTOR FIREWALL MOUNTED		
362-823	CUSTOMER INSTALLED CHELSEA 280 SERIES PTO		

Prepared for:
 Martin Montalvo, City of
 Wilsonville Through
 DEPARTMENT OF
 ADMINISTRATIVE SERVICES,
 PA 1640

Prepared by:
 Dylan Dripps
 MCCOY FREIGHTLINER OF
 PORTLAND
 9622 N.E. VANCOUVER WAY
 PORTLAND, OR 97211
 Phone: 503-283-0345

Data Code	Description	Weight Front	Weight Rear
363-001	PTO MOUNTING, LH SIDE OF MAIN TRANSMISSION		
341-018	MAGNETIC PLUGS, ENGINE DRAIN, TRANSMISSION DRAIN, AXLE(S) FILL AND DRAIN		
345-003	PUSH BUTTON ELECTRONIC SHIFT CONTROL, DASH MOUNTED		
97G-004	TRANSMISSION PROGNOSTICS - ENABLED 2013		
370-015	WATER TO OIL TRANSMISSION COOLER, IN RADIATOR END TANK		
346-003	TRANSMISSION OIL CHECK AND FILL WITH ELECTRONIC OIL LEVEL CHECK		
35T-001	SYNTHETIC TRANSMISSION FLUID (TES-295 COMPLIANT)		

Front Axle and Equipment

400-1A8	DETROIT DA-F-14.7-3 14,700# FF1 71.5 KPI/3.74 DROP SINGLE FRONT AXLE	10	
402-049	MERITOR 16.5X5 Q+ CAST SPIDER CAM FRONT BRAKES, DOUBLE ANCHOR, FABRICATED SHOES		
403-002	NON-ASBESTOS FRONT BRAKE LINING		
419-023	CONMET CAST IRON FRONT BRAKE DRUMS		
427-001	FRONT BRAKE DUST SHIELDS	5	
409-006	FRONT OIL SEALS		
408-001	VENTED FRONT HUB CAPS WITH WINDOW, CENTER AND SIDE PLUGS - OIL		
416-022	STANDARD SPINDLE NUTS FOR ALL AXLES		
405-002	MERITOR AUTOMATIC FRONT SLACK ADJUSTERS		
536-012	TRW TAS-85 POWER STEERING	40	
539-003	POWER STEERING PUMP		
534-015	2 QUART SEE THROUGH POWER STEERING RESERVOIR		
40T-002	CURRENT AVAILABLE SYNTHETIC 75W-90 FRONT AXLE LUBE		

Front Suspension

620-010	14,600# TAPERLEAF FRONT SUSPENSION	170	
619-005	MAINTENANCE FREE RUBBER BUSHINGS - FRONT SUSPENSION		
62G-007	355MM FRONT SUSPENSION WHEEL HEIGHT		
410-001	FRONT SHOCK ABSORBERS		



Prepared for:
 Martin Montalvo, City of
 Wilsonville Through
 DEPARTMENT OF
 ADMINISTRATIVE SERVICES,
 PA 1640

Prepared by:
 Dylan Dripps
 MCCOY FREIGHTLINER OF
 PORTLAND
 9622 N.E. VANCOUVER WAY
 PORTLAND, OR 97211
 Phone: 503-283-0345

Data Code	Description	Weight Front	Weight Rear
Rear Axle and Equipment			
420-022	RS-26-185 26,000# T-SERIES SINGLE REAR AXLE		255
421-563	5.63 REAR AXLE RATIO		
424-001	IRON REAR AXLE CARRIER WITH STANDARD AXLE HOUSING		
386-073	MXL 17T MERITOR EXTENDED LUBE MAIN DRIVELINE WITH HALF ROUND YOKES	20	20
452-001	DRIVER CONTROLLED TRACTION DIFFERENTIAL - SINGLE REAR AXLE		20
878-018	(1) DRIVER CONTROLLED DIFFERENTIAL LOCK REAR VALVE FOR SINGLE DRIVE AXLE		
87B-004	BLINKING LAMP WITH EACH MODE SWITCH, DIFFERENTIAL UNLOCK WITH IGNITION OFF, ACTIVE <5 MPH		
423-010	MERITOR 16.5X7 P CAST SPIDER CAM REAR BRAKES, DOUBLE ANCHOR, CAST SHOES		20
433-002	NON-ASBESTOS REAR BRAKE LINING		
434-011	BRAKE CAMS AND CHAMBERS ON FORWARD SIDE OF DRIVE AXLE(S)		
451-030	WEBB HEAVY WEIGHT CAST IRON REAR BRAKE DRUMS		80
425-002	REAR BRAKE DUST SHIELDS		5
440-006	REAR OIL SEALS		
426-100	WABCO TRISTOP D LONGSTROKE 1-DRIVE AXLE SPRING PARKING CHAMBERS		
428-003	HALDEX AUTOMATIC REAR SLACK ADJUSTERS		
41T-001	MINERAL SAE 80/90 REAR AXLE LUBE		
Rear Suspension			
622-1DC	26,000# FLAT LEAF SPRING REAR SUSPENSION WITH HELPER AND RADIUS ROD		170
621-001	SPRING SUSPENSION - NO AXLE SPACERS		
431-001	STANDARD AXLE SEATS IN AXLE CLAMP GROUP		
623-005	FORE/AFT CONTROL RODS		
Brake System			
018-002	AIR BRAKE PACKAGE		
490-100	WABCO 4S/4M ABS		
871-001	REINFORCED NYLON, FABRIC BRAID AND WIRE BRAID CHASSIS AIR LINES		
904-001	FIBER BRAID PARKING BRAKE HOSE		

Prepared for:
 Martin Montalvo, City of
 Wilsonville Through
 DEPARTMENT OF
 ADMINISTRATIVE SERVICES,
 PA 1640

Prepared by:
 Dylan Dripps
 MCCOY FREIGHTLINER OF
 PORTLAND
 9622 N.E. VANCOUVER WAY
 PORTLAND, OR 97211
 Phone: 503-283-0345

Data Code	Description	Weight Front	Weight Rear
412-001	STANDARD BRAKE SYSTEM VALVES		
46D-002	STANDARD AIR SYSTEM PRESSURE PROTECTION SYSTEM		
413-002	STD U.S. FRONT BRAKE VALVE		
432-003	RELAY VALVE WITH 5-8 PSI CRACK PRESSURE, NO REAR PROPORTIONING VALVE		
480-088	WABCO SYSTEM SAVER HP WITH INTEGRAL AIR GOVERNOR AND HEATER		
479-012	AIR DRYER MOUNTED UNDER HOOD		
* 460-008	STEEL AIR BRAKE RESERVOIRS MOUNTED INSIDE RAIL MOUNT (2) AIR TANKS LH AND RH BETWEEN RA IL. LOCATE HANGERS AT FRAME STATIONS 415 0 AND 4500 BOTH SIDES		
477-001	PULL CABLE ON WET TANK, PETCOCK DRAIN VALVES ON ALL OTHER AIR TANKS		
* 485-045	METALLIC AIR MANIFOLD MOUNTED TO BACK OF CAB CROSSMEMBER WITH SIX 1/4 INCH FITTINGS AND 70 PSI PROTECTION VALVE		

Trailer Connections

335-004	UPGRADED CHASSIS MULTIPLEXING UNIT
32A-002	UPGRADED BULKHEAD MULTIPLEXING UNIT

Wheelbase & Frame

545-597	5975MM (235 INCH) WHEELBASE		
546-101	11/32X3-1/2X10-15/16 INCH STEEL FRAME (8.73MMX277.8MM/0.344X10.94 INCH) 120KSI	310	120
552-164	1175MM (46 INCH) REAR FRAME OVERHANG		
55W-004	FRAME OVERHANG RANGE: 41 INCH TO 50 INCH	10	-80
549-093	8 INCH BOLT ON FRONT FRAME EXTENSION	55	
AC8-99D	CALC'D BACK OF CAB TO REAR SUSP C/L (CA) : 169.69 in		
AE8-99D	CALCULATED EFFECTIVE BACK OF CAB TO REAR SUSPENSION C/L (CA) : 166.69 in		
AE4-99D	CALC'D FRAME LENGTH - OVERALL : 310.93		
FSS-0LH	CALCULATED FRAME SPACE LH SIDE : 129.46 in		
FSS-0RH	CALCULATED FRAME SPACE RH SIDE : 197.64 in		
AM6-99D	CALC'D SPACE AVAILABLE FOR DECKPLATE : 163.45 in		
553-001	SQUARE END OF FRAME		
550-001	FRONT CLOSING CROSSMEMBER		



Prepared for:
 Martin Montalvo, City of
 Wilsonville Through
 DEPARTMENT OF
 ADMINISTRATIVE SERVICES,
 PA 1640

Prepared by:
 Dylan Dripps
 MCCOY FREIGHTLINER OF
 PORTLAND
 9622 N.E. VANCOUVER WAY
 PORTLAND, OR 97211
 Phone: 503-283-0345

Data Code	Description	Weight Front	Weight Rear
559-001	STANDARD WEIGHT ENGINE CROSSMEMBER		
561-001	STANDARD CROSSMEMBER BACK OF TRANSMISSION		
562-001	STANDARD MIDSHIP #1 CROSSMEMBER(S)		
572-001	STANDARD REAR MOST CROSSMEMBER		
565-001	STANDARD SUSPENSION CROSSMEMBER		
Chassis Equipment			
556-997	OMIT FRONT BUMPER, CUSTOMER INSTALLED SPECIAL BUMPER, DOES NOT COMPLY WITH FMCSR 393.203	-60	
586-024	FENDER AND FRONT OF HOOD MOUNTED FRONT MUDFLAPS		
551-007	GRADE 8 THREADED HEX HEADED FRAME FASTENERS		
605-1AB	D15-16004-000 CENTER PUNCH TO MARK CENTERLINE OF REAR SUSPENSION ON FRAME WEB		
Fuel Tanks			
204-192	50 GALLON/189 LITER RECTANGULAR ALUMINUM FUEL TANK - LH	20	
218-005	RECTANGULAR FUEL TANK(S)		
215-005	PLAIN ALUMINUM/PAINTED STEEL FUEL/HYDRAULIC TANK(S) WITH PAINTED BANDS		
212-007	FUEL TANK(S) FORWARD		
664-001	PLAIN STEP FINISH		
205-001	FUEL TANK CAP(S)		
122-1H3	DETROIT FUEL/WATER SEPARATOR WITH WATER IN FUEL SENSOR	-5	
216-020	EQUIFLO INBOARD FUEL SYSTEM		
202-016	HIGH TEMPERATURE REINFORCED NYLON FUEL LINE		
* 221-001	FUEL COOLER	10	
	MOUNT OUTBOARD ON LH RAIL DIRECTLY BEHIN D DEF TANK AT FRAME STATION 2950		
Tires			
093-994	MICHELIN XZE 12R22.5 16 PLY RADIAL FRONT TIRES	50	
094-1RM	MICHELIN X WORKS Z 12R22.5 16 PLY RADIAL REAR TIRES		152
Hubs			

Prepared for:
 Martin Montalvo, City of
 Wilsonville Through
 DEPARTMENT OF
 ADMINISTRATIVE SERVICES,
 PA 1640

Prepared by:
 Dylan Dripps
 MCCOY FREIGHTLINER OF
 PORTLAND
 9622 N.E. VANCOUVER WAY
 PORTLAND, OR 97211
 Phone: 503-283-0345

Data Code	Description	Weight Front	Weight Rear
418-060	CONMET PRESET PLUS PREMIUM IRON FRONT HUBS		
450-060	CONMET PRESET PLUS PREMIUM IRON REAR HUBS		
Wheels			
502-1F2	MAXION WHEELS 90541 22.5X8.25 10-HUB PILOT 6.20 INSET 2-HAND STEEL DISC FRONT WHEELS		
505-1F2	MAXION WHEELS 90541 22.5X8.25 10-HUB PILOT 6.20 INSET 2-HAND STEEL DISC REAR WHEELS		
496-011	FRONT WHEEL MOUNTING NUTS		
497-011	REAR WHEEL MOUNTING NUTS		
495-998	NO PUSHER/TAG WHEEL MOUNTING NUTS		
Cab Exterior			
829-071	106 INCH BBC FLAT ROOF ALUMINUM CONVENTIONAL CAB		
650-008	AIR CAB MOUNTING		
648-002	NONREMOVABLE BUGSCREEN MOUNTED BEHIND GRILLE		
678-001	LH AND RH GRAB HANDLES		
646-011	STATIONARY PAINTED FULL GRILLE FOR CHASSIS WITHOUT INTEGRAL FRONT FRAME EXTENSIONS	10	
65X-001	ARGENT SILVER HOOD MOUNTED AIR INTAKE GRILLE		
644-004	FIBERGLASS HOOD		
690-002	TUNNEL/FIREWALL LINER		
727-1AF	SINGLE 14 INCH ROUND HADLEY AIR HORN UNDER LH DECK	4	
726-001	SINGLE ELECTRIC HORN		
728-001	SINGLE HORN SHIELD		
657-001	DOOR LOCKS AND IGNITION SWITCH KEYED THE SAME		
78G-004	KEY QUANTITY OF 4		
575-001	REAR LICENSE PLATE MOUNT END OF FRAME		
312-043	INTEGRAL HEADLIGHT/MARKER ASSEMBLY		
302-047	LED AERODYNAMIC MARKER LIGHTS		
294-001	INTEGRAL STOP/TAIL/BACKUP LIGHTS		
300-015	STANDARD FRONT TURN SIGNAL LAMPS		
744-1BC	DUAL WEST COAST BRIGHT FINISH HEATED MIRRORS WITH LH AND RH REMOTE		

Prepared for:
 Martin Montalvo, City of
 Wilsonville Through
 DEPARTMENT OF
 ADMINISTRATIVE SERVICES,
 PA 1640

Prepared by:
 Dylan Dripps
 MCCOY FREIGHTLINER OF
 PORTLAND
 9622 N.E. VANCOUVER WAY
 PORTLAND, OR 97211
 Phone: 503-283-0345

Data Code	Description	Weight Front	Weight Rear
797-001	DOOR MOUNTED MIRRORS		
796-001	102 INCH EQUIPMENT WIDTH		
743-204	LH AND RH 8 INCH BRIGHT FINISH CONVEX MIRRORS MOUNTED UNDER PRIMARY MIRRORS		
74A-001	RH DOWN VIEW MIRROR		
729-001	STANDARD SIDE/REAR REFLECTORS		
768-043	63X14 INCH TINTED REAR WINDOW		
661-004	TINTED DOOR GLASS LH AND RH WITH TINTED OPERATING WING WINDOWS		
654-003	MANUAL DOOR WINDOW REGULATORS		
663-013	1-PIECE SOLAR GREEN GLASS WINDSHIELD		
659-019	2 GALLON WINDSHIELD WASHER RESERVOIR WITHOUT FLUID LEVEL INDICATOR, FRAME MOUNTED		
Cab Interior			
707-1AK	OPAL GRAY VINYL INTERIOR		
706-026	MOLDED PLASTIC DOOR PANEL WITHOUT VINYL INSERT WITH ALUMINUM KICKPLATE LOWER DOOR		
708-026	MOLDED PLASTIC DOOR PANEL WITHOUT VINYL INSERT WITH ALUMINUM KICKPLATE LOWER DOOR		
772-006	BLACK MATS WITH SINGLE INSULATION		
785-001	DASH MOUNTED ASH TRAYS AND LIGHTER		
691-008	FORWARD ROOF MOUNTED CONSOLE WITH UPPER STORAGE COMPARTMENTS WITHOUT NETTING		
694-010	IN DASH STORAGE BIN		
742-007	(2) CUP HOLDERS LH AND RH DASH		
680-006	GRAY/CHARCOAL FLAT DASH		
860-004	SMART SWITCH EXPANSION MODULE		
720-003	5 LB. FIRE EXTINGUISHER	10	
700-002	HEATER, DEFROSTER AND AIR CONDITIONER		
701-008	STANDARD HVAC DUCTING WITH SNOW SHIELD FOR FRESH AIR INTAKE		
703-005	MAIN HVAC CONTROLS WITH RECIRCULATION SWITCH		
170-019	STANDARD HEATER PLUMBING WITH BALL SHUTOFF VALVES		
130-041	VALEO HEAVY DUTY A/C REFRIGERANT COMPRESSOR		

Prepared for:
 Martin Montalvo, City of
 Wilsonville Through
 DEPARTMENT OF
 ADMINISTRATIVE SERVICES,
 PA 1640

Prepared by:
 Dylan Dripps
 MCCOY FREIGHTLINER OF
 PORTLAND
 9622 N.E. VANCOUVER WAY
 PORTLAND, OR 97211
 Phone: 503-283-0345

Data Code	Description	Weight Front	Weight Rear
702-002	BINARY CONTROL, R-134A		
739-034	PREMIUM INSULATION		
285-013	SOLID-STATE CIRCUIT PROTECTION AND FUSES		
280-007	12V NEGATIVE GROUND ELECTRICAL SYSTEM		
324-014	DOME LIGHT WITH 3-WAY SWITCH ACTIVATED BY LH AND RH DOORS		
655-005	LH AND RH ELECTRIC DOOR LOCKS		
284-023	(1) 12 VOLT POWER SUPPLY IN DASH		
756-339	PREMIUM ISRINGHAUSEN HIGH BACK AIR SUSPENSION DRIVERS SEAT WITH 2 AIR LUMBAR, INTEGRATED CUSHION EXTENSION, TILT AND ADJUSTABLE SHOCK	70	
760-339	PREMIUM ISRINGHAUSEN HIGH BACK AIR SUSPENSION PASSENGER SEAT WITH 2 AIR LUMBAR, INTEGRATED CUSHION EXTENSION, TILT AND ADJUSTABLE SHOCK	60	20
759-005	DUAL DRIVER AND PASSENGER SEAT ARMRESTS	8	
711-004	LH AND RH INTEGRAL DOOR PANEL ARMRESTS		
758-014	BLACK CORDURA PLUS CLOTH DRIVER SEAT COVER		
761-014	BLACK CORDURA PLUS CLOTH PASSENGER SEAT COVER		
763-101	BLACK SEAT BELTS		
532-002	ADJUSTABLE TILT AND TELESCOPING STEERING COLUMN	10	
540-015	4-SPOKE 18 INCH (450MM) STEERING WHEEL		
765-002	DRIVER AND PASSENGER INTERIOR SUN VISORS		

Instruments & Controls

732-004	GRAY DRIVER INSTRUMENT PANEL		
734-004	GRAY CENTER INSTRUMENT PANEL		
87L-005	ENGINE REMOTE INTERFACE WITHOUT INTERLOCKS		
870-001	BLACK GAUGE BEZELS		
486-001	LOW AIR PRESSURE INDICATOR LIGHT AND AUDIBLE ALARM		
840-002	2 INCH PRIMARY AND SECONDARY AIR PRESSURE GAUGES		
198-003	DASH MOUNTED AIR RESTRICTION INDICATOR WITH GRADUATIONS		
721-001	97 DB BACKUP ALARM		3



Prepared for:
 Martin Montalvo, City of
 Wilsonville Through
 DEPARTMENT OF
 ADMINISTRATIVE SERVICES,
 PA 1640

Prepared by:
 Dylan Dripps
 MCCOY FREIGHTLINER OF
 PORTLAND
 9622 N.E. VANCOUVER WAY
 PORTLAND, OR 97211
 Phone: 503-283-0345

Data Code	Description	Weight Front	Weight Rear
149-013	ELECTRONIC CRUISE CONTROL WITH SWITCHES IN LH SWITCH PANEL		
156-007	KEY OPERATED IGNITION SWITCH AND INTEGRAL START POSITION; 4 POSITION OFF/RUN/START/ACCESSORY		
811-042	ICU3S, 132X48 DISPLAY WITH DIAGNOSTICS, 28 LED WARNING LAMPS AND DATA LINKED		
160-039	(1) HEAVY DUTY ONBOARD DIAGNOSTICS INTERFACE CONNECTOR LOCATED BELOW LH DASH AND (1) SAE J1939 DIAGNOSTIC INTERFACE CONNECTOR LOCATED CENTER OF DASH		
844-001	2 INCH ELECTRIC FUEL GAUGE		
148-071	ENGINE REMOTE INTERFACE WITH INCREMENT/DECREMENT		
163-004	ENGINE REMOTE INTERFACE CONNECTOR IN ENGINE COMPARTMENT		
* 33U-002	VACTOR INTERLOCK PREP		
856-001	ELECTRICAL ENGINE COOLANT TEMPERATURE GAUGE		
864-001	2 INCH TRANSMISSION OIL TEMPERATURE GAUGE		
830-017	ENGINE AND TRIP HOUR METERS INTEGRAL WITHIN DRIVER DISPLAY		
372-051	CUSTOMER FURNISHED AND INSTALLED PTO CONTROLS		
852-002	ELECTRIC ENGINE OIL PRESSURE GAUGE		
746-135	AM/FM/WB WORLD TUNER RADIO WITH SIRIUSXM, BLUETOOTH, IPOD INTERFACE, USB AND AUXILIARY INPUTS, J1939	10	
747-001	DASH MOUNTED RADIO		
750-002	(2) RADIO SPEAKERS IN CAB		
753-008	AM/FM ANTENNA MOUNTED ON LH SIDE MIRROR		
78C-003	INTEROPERABLE SDAR ANTENNA		
810-027	ELECTRONIC MPH SPEEDOMETER WITH SECONDARY KPH SCALE, WITHOUT ODOMETER		
817-001	STANDARD VEHICLE SPEED SENSOR		
812-001	ELECTRONIC 3000 RPM TACHOMETER		
162-002	IGNITION SWITCH CONTROLLED ENGINE STOP		
329-017	THREE ON/OFF ROCKER SWITCHES IN THE DASH WITH INDICATOR LIGHTS AND WIRE ROUTED TO CHASSIS AT BACK OF CAB, LABEL OPT		

Prepared for:
 Martin Montalvo, City of
 Wilsonville Through
 DEPARTMENT OF
 ADMINISTRATIVE SERVICES,
 PA 1640

Prepared by:
 Dylan Dripps
 MCCOY FREIGHTLINER OF
 PORTLAND
 9622 N.E. VANCOUVER WAY
 PORTLAND, OR 97211
 Phone: 503-283-0345

Data Code	Description	Weight Front	Weight Rear
81Y-001	PRE-TRIP LAMP INSPECTION, ALL OUTPUTS FLASH, WITH SMART SWITCH		
264-030	(1) OVERHEAD MOUNTED LANYARD CONTROL FOR DRIVER AIR HORN		
836-015	DIGITAL VOLTAGE DISPLAY INTEGRAL WITH DRIVER DISPLAY		
660-008	SINGLE ELECTRIC WINDSHIELD WIPER MOTOR WITH DELAY		
304-001	MARKER LIGHT SWITCH INTEGRAL WITH HEADLIGHT SWITCH		
882-009	ONE VALVE PARKING BRAKE SYSTEM WITH WARNING INDICATOR		
299-013	SELF CANCELING TURN SIGNAL SWITCH WITH DIMMER, WASHER/WIPER AND HAZARD IN HANDLE		
298-039	INTEGRAL ELECTRONIC TURN SIGNAL FLASHER WITH HAZARD LAMPS OVERRIDING STOP LAMPS		

Design

065-000 PAINT: ONE SOLID COLOR

Color

980-5F6 CAB COLOR A: L0006EY WHITE ELITE EY
 986-020 BLACK, HIGH SOLIDS POLYURETHANE CHASSIS PAINT
 962-972 POWDER WHITE (N0006EA) FRONT WHEELS/RIMS (PKWHT21, TKWHT21, W, TW)
 966-972 POWDER WHITE (N0006EA) REAR WHEELS/RIMS (PKWHT21, TKWHT21, W, TW)
 963-003 STANDARD E COAT/UNDERCOATING

Certification / Compliance

996-001 U.S. FMVSS CERTIFICATION, EXCEPT SALES CABS AND GLIDER KITS

Raw Performance Data

AE8-99D CALCULATED EFFECTIVE BACK OF CAB TO REAR SUSPENSION C/L (CA) : 166.69 in
 AM6-99D CALC'D SPACE AVAILABLE FOR DECKPLATE : 163.45 in

Sales Programs

NO SALES PROGRAMS HAVE BEEN SELECTED

TOTAL VEHICLE SUMMARY

Prepared for:
Martin Montalvo, City of
Wilsonville Through
DEPARTMENT OF
ADMINISTRATIVE SERVICES,
PA 1640

Prepared by:
Dylan Dripps
MCCOY FREIGHTLINER OF
PORTLAND
9622 N.E. VANCOUVER WAY
PORTLAND, OR 97211
Phone: 503-283-0345

Weight Summary

	Weight Front	Weight Rear	Total Weight
Factory Weight ⁺	7527 lbs	4403 lbs	11930 lbs
<hr/>			
Total Weight ⁺	7527 lbs	4403 lbs	11930 lbs

(+) Weights shown are estimates only.
If weight is critical, contact Customer Application Engineering.

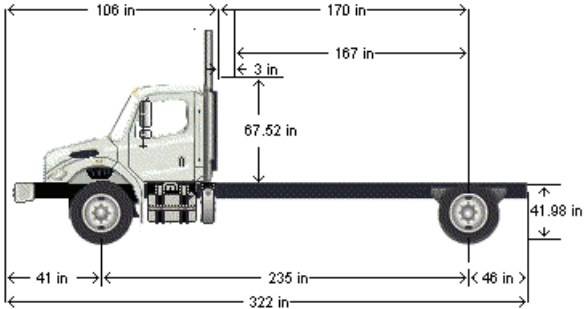
(***) All cost increases for major components (Engines, Transmissions, Axles, Front and Rear Tires) and government mandated requirements, tariffs, and raw material surcharges will be passed through and added to factory invoices.



Prepared for:
 Martin Montalvo, City of
 Wilsonville Through
 DEPARTMENT OF
 ADMINISTRATIVE SERVICES,
 PA 1640

Prepared by:
 Dylan Dripps
 MCCOY FREIGHTLINER OF
 PORTLAND
 9622 N.E. VANCOUVER WAY
 PORTLAND, OR 97211
 Phone: 503-283-0345

D I M E N S I O N S



VEHICLE SPECIFICATIONS SUMMARY - DIMENSIONS

Model	M2106
Wheelbase (545)	5975MM (235 INCH) WHEELBASE
Rear Frame Overhang (552).....	1175MM (46 INCH) REAR FRAME OVERHANG
Fifth Wheel (578)	NO FIFTH WHEEL
Mounting Location (577)	NO FIFTH WHEEL LOCATION
Maximum Forward Position (in).....	0
Maximum Rearward Position (in)	0
Amount of Slide Travel (in).....	0
Slide Increment (in).....	0
Desired Slide Position (in).....	0.0
Cab Size (829).....	106 INCH BBC FLAT ROOF ALUMINUM CONVENTIONAL CAB
Sleeper (682).....	NO SLEEPER BOX/SLEEPER CAB
Exhaust System (016)	RH OUTBOARD UNDER STEP MOUNTED HORIZONTAL AFTERTREATMENT SYSTEM ASSEMBLY WITH RH B-PILLAR MOUNTED VERTICAL TAILPIPE

TABLE SUMMARY - DIMENSIONS



Prepared for:
 Martin Montalvo, City of
 Wilsonville Through
 DEPARTMENT OF
 ADMINISTRATIVE SERVICES,
 PA 1640

Prepared by:
 Dylan Dripps
 MCCOY FREIGHTLINER OF
 PORTLAND
 9622 N.E. VANCOUVER WAY
 PORTLAND, OR 97211
 Phone: 503-283-0345

Dimensions	Inches
Bumper to Back of Cab (BBC)	106.3
Bumper to Centerline of Front Axle (BA)	40.7
Min. Cab to Body Clearance (CB)	3.0
Back of Cab to Centerline of Rear Axle(s) (CA)	169.7
Effective Back of Cab to Centerline of Rear Axle(s) (Effective CA)	166.7
Back of Cab Protrusions (Exhaust/Intake) (CP)	2.0
Back of Cab Protrusions (Side Extenders/Trim Tab) (CP)	0.0
Back of Cab Protrusions (CNG Tank)	0.0
Back of Cab Clearance (CL)	3.0
Back of Cab to End of Frame	216.0
Cab Height (CH)	67.5
Wheelbase (WB)	235.2
Frame Overhang (OH)	46.3
Overall Frame Length	310.9
Overall Length (OAL)	322.3
Rear Axle Spacing	0.0
Unladen Frame Height at Centerline of Rear Axle	42.0

Performance calculations are estimates only. If performance calculations are critical, please contact Customer Application Engineering.

Prepared for:
 Martin Montalvo, City of
 Wilsonville Through
 DEPARTMENT OF
 ADMINISTRATIVE SERVICES,
 PA 1640

Prepared by:
 Dylan Dripps
 MCCOY FREIGHTLINER OF
 PORTLAND
 9622 N.E. VANCOUVER WAY
 PORTLAND, OR 97211
 Phone: 503-283-0345

TABLE SUMMARY - TRUCK WEIGHT

Item	Front(s)	Rear(s)	Total
Chassis Tare	7527	4403	11930
Fuel / Oil	255	159	414
Driver	402	98	500
Dealer Installed Options	0	0	0
Accessories Total	0	0	0
Body Tare	728	972	1700
Truck Tare Weight	8912	5632	14544
Payload Total	0	0	0
Calculated Axle Loads	8912	5632	14544
Expected Axle Loads / GVW	14000	26000	40000
GAWR / GVWR	14600	26000	40600
Payload CG From Front of Body		5.9 feet	
Payload CG From Front Axle		11.6 feet	
Payload Distribution		Variable	
All weights displayed in pounds			

Item	Front(s)	Rear(s)	Total
Chassis Tare	7527	4403	11930
Fuel / Oil	255	159	414
Driver	402	98	500
Dealer Installed Options	0	0	0
Accessories Total	0	0	0
Body Tare	728	972	1700
Truck Tare Weight	8912	5632	14544
Payload Total	0	0	0
Calculated Axle Loads	8912	5632	14544
Expected Axle Loads / GVW	14000	26000	40000
GAWR / GVWR	14600	26000	40600
Payload CG From Front of Body		5.9 feet	
Payload CG From Front Axle		11.6 feet	
Payload Distribution		Variable	
All weights displayed in pounds			

Performance calculations are estimates only. If performance calculations are critical, please contact Customer Application Engineering.



EXHIBIT B

List Summary

Order Qty	Part Number	Description	List Price
1	2100C-3	iMPACT PD, 15" Vacuum, 3 yrd Debris, 500 Gallons of Water, Combo	\$176,027.00
1	010CSTD	Curbside Toolbox w/ Nozzle Storage Rack, 42W X 22H X 24D	\$0.00
1	011CSTD	Aluminum Fenders	\$0.00
1	012CSTD	Mud Flaps	\$0.00
1	014CSTD	Electric / Hydraulic 180-degree rotation 5ft extendable boom	\$0.00
1	016CSTD	Color Coded Sealed Electrical System	\$0.00
1	019CSTD	Intuitouch Electronic Package	\$0.00
1	020CSTD	Double Acting Hoist Cylinder	\$0.00
1	025CSTD	Handgun Assembly w/ 35' x 3/8" Hose w/ Quick Disconnects	\$0.00
1	026CSTD	Ex-Ten Steel Cylindrical Debris Tank	\$0.00
1	030CSTD	Flexible Hose Guide	\$0.00
1	032CSTD	(2) Nozzle's w/ Carbide Inserts	\$0.00
1	045CSTD	Suction Tube Storage - 5 Pipe	\$0.00
1	046CSTD	3/4" Nozzle Pipe	\$0.00
1	048CSTD	10' Leader Hose	\$0.00
1	1005CSTD	Stainless Steel Float Shut Off System	\$0.00
1	1016CSTD	Horizontal Micro-Strainer Prior to Blower	\$0.00
1	1024CSTD	Debris Body Vacuum Relief System	\$0.00
1	2001CSTD	Low Water Alarm with Water Pump Flow Indicator	\$0.00
1	2022CSTD	Water Tank Sight Gauge	\$0.00
1	2023CSTD	Liquid Float Body Level Indicator	\$0.00
1	3015CSTD	Front Controlled Blower Drive	\$0.00
1	3019CSTD	Digital Water Pressure Gauge	\$0.00
1	4006CSTD	Joystick Boom Control	\$0.00
1	4010CSTD	Boom Hose Storage, Post	\$0.00
1	5002CSTD	40 GPM/2500 PSI	\$0.00
1	5010CSTD	Rodder System Accumulator - Jack Hammer on/off Control w/ manual valve	\$0.00
1	5011CSTD	3" Y-Strainer at Water Pump	\$0.00
1	5012CSTD	Multi-Flow Water System	\$0.00
1	5014CSTD	1" Water Relief Valve	\$0.00
1	5015CSTD	Midship High Pressure Coupling	\$0.00
1	6000CSTD	500' x 3/4" Sewer Hose 2500 PSI, Piranha	\$0.00
1	6004CSTD	Hose Wind Guide (Dual Roller), Manual	\$0.00
1	6005CSTD	Digital Hose Footage Counter	\$0.00
1	6017CSTD	Hydraulic Tank Shutoff Valves	\$0.00
1	6020CSTD	Rotating Hose Reel, 3/4" x 500' Capacity, 180 Deg. Rotation	\$0.00
1	7001CSTD	Tachometer / Chassis Engine w/ Hour Meter	\$0.00
1	7003CSTD	Water Pump Hour Meter	\$0.00
1	7004CSTD	PTO Hour Meter	\$0.00
1	7005CSTD	Hydraulic Oil Temp Alarm	\$0.00

1	7007CSTD	Tachometer / Blower w/ Hour Meter	\$0.00
1	8000CSTD	Circuit Breakers	\$0.00
1	8025CSTD	LED Lights, Clearance, Backup, Stop, Tail, & Turn	\$0.00
1	9002CSTD	Tow Hooks, Front	\$0.00
1	9002CSTD	Tow Hooks, Rear	\$0.00
1	9003CSTD	Electronic Back-Up Alarm	\$0.00
1	S390CSTD	6" Vacuum Pipe Package	\$0.00
1	S560CSTD	Emergency Flare Kit	\$0.00
1	S590CSTD	Fire Extinguisher 5 Lbs.	\$0.00
1	500655B-30	Vactor Standard Manual and USB Version - 1 + Dealer	\$0.00
1	1003C	Body Washout	\$1,592.00
1	1008CA	6" Knife Gate Valve, 6:00 position	\$1,246.00
1	1014C	Centrifugal Separators (Cyclones)	\$3,120.00
1	1022C	Rear Door Splash Shield	\$1,544.00
1	1023C	Lube Manifold	\$2,407.00
1	1023CA	Plastic Lube Chart, included with Lube Manifold	\$0.00
1	2006C	Air Purge	\$1,364.00
1	3019C	Digital Water Level Indicator	\$687.00
1	3021C	Digital Debris Body Level Indicator	\$950.00
1	4011C	Belly-Pack Wireless Controls, including hose reel controls	\$3,123.00
1	5021C	Hydro Excavation Kit - Includes Lances, Nozzles, Storage Tray, and Vacuum Tube	\$3,860.00
1	6004CC	Pinch Roller	\$1,465.00
1	6014C	High Pressure Hose Reel	\$1,539.00
1	6019C	Rodder Pump Drain Valves	\$515.00
1	6019CA	Final Filter and Silencer Ball Valve Drains	\$464.00
1	8001CM	Rear Directional Control, LED Arrowstick	\$1,854.00
1	8020CA	10 Light Package, 10 Federal Signal Strobe Lights, LED	\$2,179.00
1	8029CA	Work Lights (2), Extendable Boom	\$790.00
1	8029CB	Work Lights (2), Rear Door	\$626.00
1	8029CC	Side Work Lights, LED	\$1,086.00
1	8029CD	Manhole Work Light	\$677.00
1	9021CA	Camera System, Front, Rear and Both Sides	\$1,225.00
1	9023CB	Safety Cone Storage Rack - Drop in Style	\$170.00
1	9071CAL	Toolbox, Behind Cab - 14w 36h x 88d - with Lighting	\$3,442.00
1	P112STD	Module Paint, DuPont Imron Elite - Sanded Primer Base	\$0.00
1	LOGO-APPL.	Vactor/Guzzler Logos - Applied	\$0.00
1	500655B-30	Vactor Standard Manual and USB Version - 1 + Dealer	\$0.00
1	VACTOR	Upgrade to 5 yd Body and 750 Gallons of Water	\$30,000.00
1	VDS-154	Freight Charges	\$4,900.00
1	DLV	Delivery	\$500.00

***CONTRACT ITEMS LISTED IN BOLD**

Chassis Source - Customer Supplied

LIMITED WARRANTY

Limited Warranty. Each machine manufactured by VACTOR MANUFACTURING (or, "the Company") is warranted against defects in material and workmanship for a period of 12 months, provided the machine is used in a normal and reasonable manner and in accordance with all operating, maintenance and safety instructions. In addition, certain machines and components of certain machines have extended warranties as set forth below. If sold to an end user, the applicable warranty period commences from the date of delivery to the end user. If used for rental purposes, the applicable warranty period commences from the date the machine is firstmade available for rental by the Company or its representative. This limited warranty may be enforced by any subsequent transferee during the warranty period. This limited warranty is the sole and exclusive warranty given by the Company.

STANDARD EXTENDED WARRANTIES (Total Warranty Duration)

- 2100 Series, HXX Series and Jetters 10 years against water tank leakage due to corrosion. nonMettalic water tanks are covered for 5 yrs against any factory defect in material or workmanship.
- 2100 Series, HXX Series and Guzzler only 5 years against leakage of debris tank, centrifugal compressor or housing due to rust-through.
- 2100 Series and Jetters 2 years - Vactor Rodder Pump

Exclusive Remedy. Should any warranted product fail during the warranty period, the Company will cause to be repaired or replaced, as the Company may elect, any part or parts of such machine that the Company's examination discloses to be defective in material or factory workmanship. Repairs or replacements are to be made at the selling Company's authorized dealer's or distributor's location or at other locations approved by the Company. In lieu of repair or replacement, the Company may elect, at its sole discretion, to refund the purchase price of any product deemed defective. The foregoing remedies shall be the sole and exclusive remedies of any party making a valid warranty claim.

This Limited Warranty shall not apply to (and the Company shall not be responsible for):

1. Major components or trade accessories that have a separate warranty from their original manufacturer, such as, but not limited to, trucks and truck chassis, engines, hydraulic pumps and motors, tires and batteries.
2. Normal adjustments and maintenance services.
3. Normal wear parts such as, but not limited to, oils, fluids, vacuum hose, light bulbs, fuses and gaskets.
4. Failures resulting from the machine being operated in a manner or for a purpose not recommended or not in accordance with operating, maintenance or safety instructions by the Company.
5. Repairs, modifications or alterations without the express written consent of the Company, which in the Company's sole judgment, have adversely affected the machine's stability, operation or reliability as originally designed and manufactured.
6. Items subject to misuse, negligence, accident or improper maintenance.

NOTE The use in the product of any part other than parts approved by the Company may invalidate this warranty. The Company reserves the right to determine, in its sole discretion, if the use of non-approved parts operates to invalidate the warranty. Nothing contained in this warranty shall make the Company liable for loss, injury, or damage of any kind to any person or entity resulting from any defect or failure in the machine.

THIS WARRANTY SHALL BE IN LIEU OF ALL OTHER WARRANTIES, EXPRESS OR IMPLIED, AND TO THE EXTENT PERMITTED, CONFERRED BY STATUTE, INCLUDING WITHOUT LIMITATION, ANY IMPLIED WARRANTIES OF MERCHANTABILITY OR FITNESS FOR A PARTICULAR PURPOSE, OR ANY WARRANTY AGAINST FAILURE OF ITS ESSENTIAL PURPOSE, ALL OF WHICH ARE DISCLAIMED.

This warranty is in lieu of all other obligations or liabilities, contractual and otherwise, on the part of the Company. For the avoidance of doubt, the Company shall not be liable for any indirect, special, incidental or consequential damages, including, but not limited to, loss of use or lost profits. The Company makes no representation that the machine has the capacity to perform any functions other than as contained in the Company's written literature, catalogs or specifications accompanying delivery of the machine. No person or affiliated company representative is authorized to alter the terms of this warranty, to give any other warranties or to assume any other liability on behalf of the Company in connection with the sale, servicing or repair of any machine manufactured by the Company. Any legal action based hereon must be commenced within eighteen (18) months of the event or facts giving rise to such action.

The Company reserves the right to make design changes or improvements in its products without imposing any obligation upon itself to change or improve previously manufactured products.



VACTOR MANUFACTURING
1621 S. Illinois Street
Streator, IL 61364



Time and Distance Table

1.1 Freightliner Medium Truck

Coverage ¹		
Description	Time ²	Distance ²
Basic Vehicle	2 Years	Unlimited
Battery	1 Year	100,000 mi/161 000 km
Brightwork	6 Months	Unlimited
Cab Corrosion/Perforation	5 Years	Unlimited
Cab Structure	5 Years	Unlimited
Corrosion	6 Months	Unlimited
Crossmembers	5 Years	Unlimited
Emission Regulations ³		
Diesel Emission 2010 ⁴	5 Years	100,000 mi/161 000 km
GHG21 ⁵ (Light Heavy Duty Trucks)	5 Years	50,000 mi/80 500 km
GHG21 ⁵ (Medium Heavy Duty to Heavy Heavy Duty Trucks/Tractors)	5 Years	100,000 mi/161 000 km
GHG21 ⁵ Tire (File Direct)	2 Years	24,000 mi/38 400 km
Frame Rails	5 Years	Unlimited
Front/Steer Axle ⁶		
Detroit ⁷	2 Years	Unlimited
Non-Detroit	2 Years	Unlimited
Paint	1 Year	100,000 mi/161 000 km
Paint, Chassis	6 Months	Unlimited
Rear Axle ⁸		
Detroit ⁷	2 Years	Unlimited
Non-Detroit	2 Years	Unlimited
Transfer Case	2 Years	Unlimited
Transmission ⁹		
Detroit ⁷	5 Years	750,000 mi/1 200 000 km
Eaton Hybrid	3 Years	150,000 mi/240 000 km
Non-Detroit	2 Years	Unlimited

¹ Because Warranty coverage is determined by a unit's specifications, gross combination weight rating, road surface, and vocation, coverage may vary. For unit-specific coverage, Dealers should enter a product serial number or vehicle identification number on the *Coverage Info* screen in OWL; for customers without access to OWL, see ordering Dealer for more information.

² Time or distance, whichever comes first.

³ See *Emission Regulations* subsection that follows or separate engine owner's manual for regulatory information.

⁴ Applies to vehicles equipped with EPA 2010 compliant diesel engines.

⁵ Applies to models 2013 and later domiciled in the United States and Canada.

⁶ Customers will have only one (1) type of front/steer axle coverage, either Detroit or non-Detroit, depending on how the unit is spec'd. Front axle coverage is also applicable to gliders. Detroit coverage may vary due to vocation, unit specifications, etc.; table shows the minimum coverage possible. For instructions on accessing unit-specific coverage, please see footnote 1 above.

⁷ Access Detroit parchments at *DTNACconnect > Warranty Lit > Coverages > Detroit*; for customers without access, see ordering Dealer for more information.

⁸ Customers will have only one (1) type of rear axle coverage, either Detroit or non-Detroit, depending on how the unit is spec'd. Detroit coverage may vary due to vocation, unit specifications, etc.; table shows the minimum coverage possible. For instructions on accessing unit-specific coverage, please see footnote 1 above.

⁹ Customers will have only one (1) type of transmission coverage, depending on how the unit is spec'd.

DISCLAIMER: Failure to read or distribute this information does not provide exemption from compliance with the information contained herein. Specifications are subject to change without notice. Intended for general information only, not offered as customer's Warranty.

Coverage Descriptions

Based on a unit's specifications, New Product Limited Warranty (Warranty) coverage applies. For unit-specific coverage information (time/distance amounts and component descriptions), enter a product serial number or vehicle identification number (VIN) on the *Check Info/Check Coverage* screen in Online Warranty Link (OWL). Use time and distance tables in conjunction with the coverage description paragraphs; if a coverage is applicable, it will be included as a row in the table.

2.1 Axles

Front/Steer Axle

Detroit

A steer axle is non-powered. Coverage includes all axle components supplied/manufactured by Detroit Diesel Corporation (Detroit). Warrantable components could include, but not be limited to, I-beam, steering knuckles, spindles, kingpins, kingpin bearings, and steering arms. Tie rod assembly and boots may have a different coverage period; see specific coverage row. *Excluded components could include, but not be limited to, wheel end equipment and steering linkage components.*

Non-Detroit

A front/steer axle can be a front powered or non-powered axle. Coverage applies to factory-installed axles and includes I-beam, steering knuckles, differential on drive steer axle, spindles, kingpins, kingpin bearings, and steering arms. *Excludes wheel end equipment, tie rod ends, steering linkage components, driveline(s), U-joints, kingpin bushings, kingpin seals, tag axle(s), pusher axle(s), and any axle installed by a service location or body builder.*

Pusher Axle

A pusher axle is a non-driven, weight-bearing axle that can be raised when not required to bear a portion of the load. Since the pusher axle can be of many different configurations, Warranty coverage applies to factory-installed axles and includes all components included in the individual build specification of each individual application. *Excludes any axle installed by a service location or body builder.*

Rear/Drive Axle

Detroit

A rear drive axle can be a single or tandem axle configuration. Coverage includes all axle components supplied/manufactured by Detroit. Warrantable components could include, but not be limited to, axle housing, carrier assembly, differential assembly, power divider, and axle shafts. Seals and gaskets may have a different coverage period; see specific coverage row. *Excluded components could include, but not be limited to, suspension and torque rod brackets, wheel end equipment, wiring, yokes, and attaching hardware.*

DISCLAIMER: Failure to read or distribute this information does not provide exemption from compliance with the information contained herein. Specifications are subject to change without notice.

Non-Detroit

A rear axle could be a drive, non-drive, or tandem axle. Coverage applies to factory-installed axles and includes axle housing, carrier assembly, differential assembly, power divider, axle shafts, and gaskets and seals. *Excludes suspension and torque rod brackets, tie rod ends, wheel end equipment, wiring, yokes, driveline(s), U-joints, attaching hardware, tag axle(s), pusher axle(s), and any axle installed by a service location or body builder.*

Tag Axle

A tag axle is a non-driven, continuous weight-bearing axle. Since the tag axle can be of many different configurations, Warranty coverage applies to factory-installed axles and includes all components included in the individual build specification of each individual application. *Excludes any axle installed by a service location or body builder.*

2.2 Basic Chassis/Vehicle

Note: Basic Chassis applies to Freightliner Custom Chassis Corporation (FCCC) products; Basic Vehicle applies to Freightliner, Western Star, and Thomas Built Buses (TBB) products.

Coverage includes all factory-installed components of the chassis/vehicle that are not excluded elsewhere in the Warranty or described as having a different time, or distance, or hours, or listed separately on each new vehicle coverage table. See the Warranty Manual for a complete list of exceptions and exclusions. Also excluded are components warranted directly by component manufacturer.

2.3 Batteries

*Detroit brand batteries of the same group and amperage are interchangeable with Alliance brand batteries and carry the same coverage period.

Standard Battery

Coverage includes Alliance,* EnerSys (NorthStar, Odyssey), and DTNA Genuine brand batteries only; claims for all other brands must be submitted directly to the supplier. Includes starting battery assemblies and factory-installed auxiliary power unit (APU) battery assemblies. *Excludes non-Alliance, non-EnerSys, and non-DTNA Genuine brand batteries, battery cables, battery mounting box, and hardware.*

Cranking Battery Only

Coverage includes Alliance,* EnerSys (NorthStar, Odyssey), and DTNA Genuine brand batteries only; claims for all other brands must be submitted directly to the supplier. Cranking battery warranty includes factory-installed cranking (starter) battery assemblies only. *Excludes APU battery assemblies, non-Alliance, non-EnerSys, and non-DTNA Genuine brand batteries, battery cables, battery mounting box, and hardware.*

Auxiliary Battery Only

Coverage includes Alliance,* EnerSys (NorthStar, Odyssey), and DTNA Genuine brand batteries only; claims for all other brands must be submitted directly to the supplier. Auxiliary battery warranty includes factory-installed APU battery assemblies only. *Excludes cranking (starter) battery assemblies, non-Alliance, non-EnerSys, and non-DTNA Genuine brand batteries, battery cables, battery mounting box, and hardware.*

DISCLAIMER: Failure to read or distribute this information does not provide exemption from compliance with the information contained herein. Specifications are subject to change without notice.

2.4 Brightwork

Coverage includes all factory-installed components with chrome, polished aluminum, or polished stainless steel surfaces. *Excludes any damage to backside of bumpers, and concealed or inner surfaces.*

2.5 Cab Corrosion/Perforation

Coverage is limited to rust-through or perforation of the cab and integral sleeper structure and sleeper box due to corrosion from within. *Excludes all conditions of rust or corrosion that have not resulted in rust-through or perforation as well as surface rust or corrosion caused by non-adhesion and any damage to paint such as chips or scratches.*

2.6 Cab Structure

Coverage includes cab and integral sleeper structural components, structural components of factory-installed sleeper boxes, sheet metal panels, doors, and hoods. *Excludes all bolt-on components including door and hood hinges, latches, guides, and other mounting hardware.*

2.7 Corrosion

Coverage includes Warranty against corrosion to any metal or metal alloy part of the vehicle.

Excludes:

- Corrosion caused by general rust (e.g., rust on the unfinished backside of a bumper)
- Surface rust caused by chips or scratches in the paint or chrome surfaces
- Corrosion caused by severe wash solutions, cleaning solvents, detergents, compounds
- Corrosion caused by salinity in the environment or corrosive salts and/or chemicals used on the road surface
- Corrosion due to improper use, misuse, or abuse, negligence, including improper or insufficient maintenance
- Corrosion due to ocean spray
- Corrosion due to environmental damage, including airborne fallout (includes chemicals, tree sap, etc.), or other atmospheric conditions, or other acts of nature
- Corrosion due to damage caused by high-pressure washing
- Corrosion caused by acid rain or other industrial fallout
- Corrosion due to improper prevention measures during storage or use
- Corrosion or rust on tone rings, rotors, or drums

2.8 Cowl Corrosion

Coverage is limited to rust-through or perforation of the cowl due to corrosion from within. *Excludes all conditions of rust or corrosion that have not resulted in rust-through or perforation as well as surface rust or corrosion caused by non-adhesion and any damage to the paint such as chips or scratches.*

DISCLAIMER: Failure to read or distribute this information does not provide exemption from compliance with the information contained herein. Specifications are subject to change without notice.

2.9 Cowl Structure

Coverage includes cowl structural components, sheet metal panels, and hood. *Excludes all bolt-on components (e.g., hood hinges, latches, guides, or other mounting hardware).*

2.10 Crossmembers

Coverage includes crossmembers, gussets, and huck-mounting bolts that attach gussets to crossmembers and gussets/crossmembers to frame rails. *Excludes any bolt-on item attached with either conventional or huck bolts.*

2.11 Driveline

Coverage includes driveshaft tubing, U-joints, yokes, support bearings, and splines.

2.12 Frame Rails

Coverage is limited to breaking or cracking of factory-installed frame rails, frame rail liners, frame rail extensions, and any item(s) factory welded to them. *Excludes all bolt-on items attached with either conventional or huck bolts.*

2.13 Glider

A glider is a vehicle that may be ordered without major components. Coverage includes all components identified on the build specification.

2.14 Hybrid Transmission - Eaton

Eaton requires that only hybrid-authorized dealerships work on units equipped with Eaton hybrid parts. Pre-authorization is required prior to repair of these vehicles in order to obtain technical assistance and a pre-authorization number for replacement parts. Eaton hybrid parts will be shipped directly from Eaton and will not be stocked in the Parts Distribution Centers (PDCs) due to the short shelf life and low volume. The following hybrid parts are covered under this Warranty: power electronics carrier (PEC), motor generator, inverter, AC/DC converter, hybrid control module (HCM), transmission control module (TCM), clutch, and electronic clutch actuator (ECA). Coverage does NOT include oil cooler or cooling systems. Please refer to Roadranger Warranty Guide TCWY0900 for more information on complete listing of limits and exclusions, as well as terms and conditions.

2.15 Paint (Body, Cab, Cowl)

Body Paint

Coverage includes all factory-painted exterior body surfaces and defects such as orange peel, peeling/delaminating, cracking/checking, or loss of gloss due to cracking, checking, or hazing. *Excludes lack of gloss issues on vehicles painted with low gloss colors; the undersides of hoods and roofs and side mounted air fairings; and any damages to the paint or painted surface such as chips and scratches.*

DISCLAIMER: Failure to read or distribute this information does not provide exemption from compliance with the information contained herein. Specifications are subject to change without notice.

Cab Paint

Coverage includes all factory-painted surfaces (except those included in chassis paint coverage) and defects such as orange peel, peeling/delaminating, cracking/checking, or loss of gloss due to cracking, checking, or hazing. *Excludes lack of gloss issues on vehicles painted with low gloss colors; the undersides of hoods and roofs and side mounted air fairings; and any damages to the paint or painted surface such as chips and scratches.*

Cowl Paint

Coverage includes all factory-painted exterior surfaces of cowl structure (except those included in chassis paint coverage) and defects such as orange peel, peeling/delaminating, cracking/checking, or loss of gloss due to cracking, checking, or hazing. *Excludes lack of gloss issues on vehicles painted with low gloss colors; the undersides of hoods and roofs and side mounted air fairings; and any damages to the paint or painted surface such as chips and scratches.*

2.16 Paint (Chassis)

Coverage includes all factory-painted surfaces on frame rails, crossmembers/gussets, front and rear bumpers, suspension components, powertrain components, drivelines, fuel tanks, air tanks, wheel end equipment, tool boxes, battery boxes, access steps, attaching brackets and hardware, and defects such as peeling or non-adhesion. *Excludes U-joints and any damages to paint or painted surface such as chips and scratches.*

2.17 Towing/Roadside Assistance

Coverage may include emergency roadside assistance or towing to the nearest Authorized Service Facility for a warrantable repair in a vehicle-down situation that prevents the safe and lawful operation of the vehicle. Verify coverage on the *Coverage Information* screen in OWL; coverage will display as a separate category. If the customer requests towing to a location beyond the distance to the nearest Authorized Service Location, the customer will be responsible for the additional charges.

2.18 Transfer Case

Coverage includes housing and all internally lubricated parts. *Excludes broken synchronizer pins, power take-offs (PTOs), airlines, gauge, clutch assemblies, driveline(s), and U-joints.*

2.19 Transmission

Detroit

Coverage includes all transmission components supplied/manufactured by Detroit. *Excludes maintenance items.*

DISCLAIMER: Failure to read or distribute this information does not provide exemption from compliance with the information contained herein. Specifications are subject to change without notice.

Non-Detroit

Coverage does not include Allison transmissions or Eaton Hybrid transmissions. Coverage includes housing and all internally lubricated parts, electric/air shift/control units, valves, gaskets, and seals. *Excludes broken synchronizer pins, PTOs, airlines, gauge, clutch assemblies, driveline(s), and U-joints.*

DISCLAIMER: Failure to read or distribute this information does not provide exemption from compliance with the information contained herein. Specifications are subject to change without notice.

New Product Limited Warranty Statements

The following section outlines standard Limited Warranty (Warranty) statements for all new Daimler Trucks North America LLC (DTNA; Company) products sold by DTNA and domiciled in the USA (50 states and Washington, D.C.) and Canada. As necessary, information below may be divided by DTNA product type (vehicle/axle); this information is also included in the applicable Owner's Warranty Information Booklet.

Based on a product's specifications, Warranty coverage varies. For product-specific coverage information (time/distance amounts and component descriptions), enter a product serial number or vehicle identification number (VIN) on the *Coverage Information* screen in the OWL. General time/distance amounts and coverage descriptions are available by DTNA brand at *DTNAConnect > Warranty Lit > Other Warranty Documents > Coverages*.

3.1 New Vehicle Limited Warranty Statement

Under this New Vehicle Limited Warranty, DTNA warrants that each new vehicle will be free from defects in material and workmanship that occur under normal use within the applicable Warranty period, subject to certain limitations and exclusions as specified in this document.

This Limited Warranty applies only to new vehicles sold by an Authorized DTNA Service Location or ordered directly from DTNA; vehicles sold at auction or as a result of repossession retain the Warranty coverage from the original in-service date or factory invoice date if the vehicle has not been warranty registered.

DTNA reserves the right to reduce or remove coverage on vehicles in salvage condition.

This Warranty covers all components and parts unless specifically covered by other warranties or otherwise excluded by this document.

3.2 New Powertrain Component Statements

Engine components are covered by two types of warranties, the standard Limited Warranty and the Emission Control Systems Warranty, a requirement of the U.S. (Federal) Clean Air Act and Canada Motor Vehicle Safety Act. Axle and transmission components are covered by the standard Limited Warranty.

New Powertrain Component Limited Warranty

The New Product Limited Warranty covers product repairs to correct any malfunction occurring during the Warranty period resulting from defects in material or workmanship. This Limited Warranty applies to the first retail purchaser and subsequent retail owners during the applicable Warranty period of new powertrain components manufactured by Detroit Diesel and/or supplied by Detroit Diesel or Detroit Diesel of Canada Limited (all which are collectively referred to as Detroit), subject to certain limitations and exclusions as specified in this document.

The Warranty period begins on the date the product is delivered to the first retail purchaser or put in use prior to sale at retail, whichever occurs first, and ends at the specified time or distance limits.

The cost of service supplies which are not reusable due to needed repairs is covered by this Warranty. Reasonable towing costs to the nearest authorized service facility are covered when due to warrantable failure, the powertrain component is either inoperable, cannot be safely operated, or continued operation would cause further damage to the product. Detroit will pay reasonable travel expenses for the repairing mechanic to travel to and from the repair site.

DISCLAIMER: Failure to read or distribute this information does not provide exemption from compliance with the information contained herein. Specifications are subject to change without notice. Intended for general information only, not offered as customer's Warranty.

Engine Major Component Warranty Coverage

Engine major component warranty covers casting defects. Casted engine major components are: cylinder block/head, crankshaft, camshaft, main bearing bolts, flywheel housing, connecting rod assemblies, oil cooler housing, oil coolant module casting, water pump housing, and air inlet housing. Coverage is for the failed engine major component only; labor and additional parts are excluded. Progressive damage is limited to only the engine major component(s) affected by the failure.

Engines used in the on-highway application may carry longer coverage on engine major components; review the applicable Warranty parchment for coverage:

- MBE4000, Series 60, DD13, DD15, DD16 diesel fueled engines in on-highway applications (on-highway refers to a truck or coach designed and used to carry passengers and/or cargo, primarily on streets or paved highways)

Emission Control Systems Warranty

For detailed information about product compliance with U.S. and Canadian law regarding design, build, and equipment, see the [Emission Regulations \(Diesel Vehicles\)](#) section. Please note that emission-related components no longer covered under the Limited Warranty described above may still be covered under the Emission Control Systems Warranty.

Certified Engines and Engine Parts

The Warranty period shall begin on the date the vehicle is delivered to the first retail purchaser or, if the vehicle is first placed in service as a demonstrator prior to sale at retail, on the date the vehicle is first placed in such service. Emission related defects in the genuine Company components listed in the [Emission Regulations \(Diesel Vehicles\)](#) section, including reasonable related diagnostic costs, are covered by this Warranty.

Covered components and component terminology varies from engine to engine. Some scheduled maintenance is required (refer to the Owner's Emission Control Maintenance Service Chart which is included in the Warranty Information booklet). Please check the specific Warranty Information Booklet to determine which components are covered by the emissions control systems warranty.

Service Locations should refer to the applicable Engine Warranty Information booklet to determine if a particular component is covered by the Emission Control Systems Warranty, as the components covered differ on each engine type as well as from year to year.

3.3 Limitations

This Warranty does not apply to products that are sold or domiciled outside of the United States (50 states and Washington, D.C.) or Canada.

This Warranty does not apply to non-Detroit engines, Allison transmissions, tires, or other components or parts that are not manufactured by Company and that are warranted directly by their respective manufacturers. Progressive damage caused by these manufacturers' components to any other parts including, but not limited to, parts installed by Company is excluded from Company warranty coverage. With respect to the foregoing, Company makes no Warranty whether express, implied, statutory or otherwise including, but not limited to, parts installed by Company is excluded from Company Warranty coverage. With respect to the foregoing, Company makes no Warranty whether express, implied, statutory, or otherwise including, but not limited to, any Warranty of merchantability or fitness for a particular purpose.

DISCLAIMER: Failure to read or distribute this information does not provide exemption from compliance with the information contained herein. Specifications are subject to change without notice. Intended for general information only, not offered as customer's Warranty.

THIS WARRANTY IS EXCLUSIVE AND IN LIEU OF ALL OTHER WARRANTIES OF ANY KIND WHETHER WRITTEN, ORAL, OR IMPLIED INCLUDING, BUT NOT LIMITED TO ANY WARRANTY OF MERCHANTABILITY OR FITNESS FOR A PARTICULAR PURPOSE. THIS WARRANTY SPECIFICALLY EXCLUDES ANY OTHER WARRANTIES OR CONDITIONS PROVIDED FOR BY LAW, WHETHER STATUTORY OR OTHERWISE.

COMPANY'S SOLE OBLIGATION UNDER THIS WARRANTY SHALL BE TO REPAIR OR REPLACE, IN COMPANY'S SOLE DISCRETION, ANY DEFECTIVE COMPONENT OR PART. SUCH REPAIR OR REPLACEMENT SHALL BE WITHOUT COST TO PURCHASER WHEN PERFORMED WITHIN THE APPLICABLE WARRANTY PERIOD (TIME, DISTANCE, OR HOUR LIMIT, WHICHEVER OCCURS FIRST).

Purchaser must notify Company, within the applicable Warranty period, of any failure of the product to comply with this Warranty and Purchaser must, at Purchaser's expense, promptly return the unit to an Authorized Service Facility for inspection and repair or replacement of any defect in material or workmanship occurring within the applicable Warranty period. During New Product coverage, Warranty reimbursement will not be paid on repairs performed by customers on their own vehicles without a current Customer Performed Warranty Agreement (CPWA).

The product must be maintained and serviced according to the prescribed schedules outlined in the Driver's/ Operator's and Maintenance Manuals. Receipted bills and other evidence showing that required maintenance and service have been performed are required by Company as a condition of this Warranty.

After the Company's obligations under this Warranty expire, all liabilities of Company to Purchaser under this Warranty shall terminate. Repairs made under this Warranty do not constitute an extension of the original Warranty period for the vehicle or for any specific component or part.

To the extent that any provision of this Warranty contravenes the law of any jurisdiction, such provision shall be inapplicable in such jurisdiction, and the remainder of the Warranty shall not be affected.

3.4 Purchaser's Exclusive Remedy

THIS WARRANTY SHALL BE THE PURCHASER'S SOLE AND EXCLUSIVE REMEDY AGAINST COMPANY, WHETHER IN CONTRACT, UNDER STATUTE (INCLUDING STATUTORY PROVISIONS AS TO CONDITIONS AS TO QUALITY OR FITNESS FOR ANY PARTICULAR PURPOSE OF GOODS SUPPLIED PURSUANT TO THE CONTRACT OF SALE), WARRANTY, TORT, STRICT LIABILITY, OR ANY OTHER LEGAL THEORY.

3.5 Limitation of Liability

COMPANY'S LIABILITY UNDER THIS WARRANTY IS LIMITED TO THE COST TO REPAIR OR REPLACE, IN COMPANY'S SOLE DISCRETION, THE DEFECTIVE COMPONENT OR PART THAT IN NO EVENT SHALL EXCEED THE FAIR MARKET VALUE OF THE PRODUCT AT THE TIME THE DEFECT IS DISCOVERED.

IN NO EVENT SHALL COMPANY BE LIABLE FOR SPECIAL, INDIRECT, INCIDENTAL, OR CONSEQUENTIAL DAMAGES INCLUDING, BUT NOT LIMITED TO, INJURIES TO PERSONS OR DAMAGE TO PROPERTY, LOSS OF PROFITS OR ANTICIPATED PROFITS, OR LOSS OF PRODUCT USE.

3.6 Emission Regulations (Diesel Vehicles)

Vehicles and engines are designed, built, and equipped so as to conform, at the time of sale, with requirements of manufacturers whose vehicles and engines are designed to meet applicable Greenhouse Gas (GHG) and Fuel Efficiency Standards of the U.S. (Federal) Environmental Protection Agency (EPA), Emission Regulations under the Canada Motor Vehicle Safety Act in Canada, and the California Air Resources Board (CARB). Engines and vehicles are free from defects in material and workmanship which cause the engine or vehicle to fail to conform with

DISCLAIMER: Failure to read or distribute this information does not provide exemption from compliance with the information contained herein. Specifications are subject to change without notice. Intended for general information only, not offered as customer's Warranty.

those regulations for the Warranty period. The Warranty period is 100,000 miles or five (5) years of operation, whichever occurs first, or the New Product Warranty, if the product warranty is longer for all emission-related components except tires and 24,000 miles or two (2) years, whichever occurs first, for the tires.

The Warranty obligations are not dependent upon the use of any particular brand of replacement parts. The Owner may elect to use non-Genuine Company Parts for replacement purposes. Use of replacement parts which are not of equivalent quality may impair the effectiveness of emission control systems. If other than Genuine Company Parts are used for maintenance replacements or for the repair of components affecting emission controls, the Owner should assure himself/herself that such parts are warranted by their manufacturer to be equivalent to Genuine Company Parts in performance and durability.

Coverage exclusions are listed in *Coverage Exclusions* elsewhere in this section.

Warranted Components					
Unless otherwise noted, the Warranty period is 5 years/100,000 miles, whichever occurs first, or the New Product Warranty, if the product Warranty is longer for all emission-related components except tires.					
Diesel engines certified to California model year 2022 and later standards come with emission warranty periods of 5 years/150,000 miles if medium heavy duty and 5 years/350,000 miles if heavy heavy duty.					
Coverage is determined based on engine and vehicle emissions model year. To determine an engine's emissions model year, refer to the EPA/CARB certification label on the engine. To determine the vehicle's emissions model year, refer to the EPA/CARB certification label on the driver's door or door jamb.					
Components ¹	Diesel Emission 2010		Gasoline Evaporative Emission 2011 ²	GHG21	
	Detroit Engine	DTNA Installed ³	DTNA Installed	Detroit Engine	DTNA Installed ⁴
A-Pillar Turning Vane					X
Aerodynamic Quarter Fenders					X
Aerodynamic Roof Fairings					X
Aerodynamic Roof Fairings (Adjustable Height)					X
Aerodynamic Side Fairings					X
Aerodynamic Wheel Covers					X
Aftertreatment System (ATS) Aftertreatment Control Module (ACM)	X			X	
Air Cleaner (Excludes Filter Element)			X		
Air Conditioning Component Leakage					X
Air Intake Pipes			X		
Air Intake Resonator			X		
Ambient Air Temperature (AAT) Sensor					X
ATS Aftertreatment Device (ATD) Wiring Harness	X			X	

DISCLAIMER: Failure to read or distribute this information does not provide exemption from compliance with the information contained herein. Specifications are subject to change without notice. Intended for general information only, not offered as customer's Warranty.

Components ¹	Diesel Emission 2010		Gasoline Evaporative Emission 2011 ²	GHG21	
	Detroit Engine	DTNA Installed ³	DTNA Installed	Detroit Engine	DTNA Installed ⁴
ATS Diesel Exhaust Fluid (DEF) Coolant Supply Valve & DEF Coolant Lines		X			
ATS DEF Pump	X			X	
ATS DEF Fuel Rail Pressure Sensor	X			X	
ATS DEF Fuel Pressure Sensor (Low)	X			X	
ATS DEF Low Dosing Unit	X			X	
ATS DEF System Air Pressure Regulator & Associated Air Lines		X			
ATS DEF System Chassis Interface Harness		X			
ATS DEF Tank		X			
ATS DEF Tank DEF Level Gauge		X			
ATS DEF Tank DEF Temperature Sensor		X			
ATS DEF Tank Heater Tubing		X			
ATS DEF Temperature Sensor NOX Sensors	X			X	
ATS Diesel Oxidation Catalyst (DOC) Inlet Temperature Sensor	X			X	
ATS DOC Outlet Temperature Sensor	X			X	
ATS Diesel Particulate Filter (DPF) Inlet Pressure Sensor	X			X	
ATS DPF Outlet Pressure Sensor	X			X	
ATS DPF Outlet Temperature Sensor	X			X	
ATS Doser Block Assembly	X			X	
ATS Electrically-Heated DEF Lines		X			
ATS Fuel Doser Valve	X			X	
ATS Oxidation Catalyst	X			X	
ATS Particulate Filter	X			X	
ATS Selective Catalytic Reduction (SCR) Catalyst	X			X	
Automatic Engine Shutdown Timer - Sleep Cab Tractors: Includes Auxiliary Technologies (Battery or Diesel Auxiliary Power Unit, Fuel-Operated Heater, Engine Start-Stop)					X
Automatic Engine Shutdown Timer - Vocational					X
Automatic Tire Inflation System					X
Cam Sensor			X		

DISCLAIMER: Failure to read or distribute this information does not provide exemption from compliance with the information contained herein. Specifications are subject to change without notice. Intended for general information only, not offered as customer's Warranty.

Components ¹	Diesel Emission 2010		Gasoline Evaporative Emission 2011 ²	GHG21	
	Detroit Engine	DTNA Installed ³	DTNA Installed	Detroit Engine	DTNA Installed ⁴
Camshaft Position Sensor	X			X	
Catalytic Converter			X		
Charge Air Cooler		X			
Charge Air Cooler Outlet Sensor	X			X	
Chassis Fairing Skirts					X
Coolant Outlet Temperature Sensor	X			X	
Coolant Sensor			X		
Crank Sensor			X		
Crankshaft Position Sensor	X			X	
Data Link Connector		X	X		X
Delta P Sensor	X			X	
Drive Wheel Fairings					X
Engine Coolant Temp Sensor			X		
Engine Control Module (ECM)			X		
Engine Start/Stop System					X
Evap Canister & Evap Canister Vent Solenoid			X		
Exhaust Gas Piping from the Turbocharger out to the Last ATD		X			
Exhaust Gas Recirculation (EGR) Cooler	X			X	
EGR Valve & Actuator	X			X	
Exhaust Manifold & Exhaust Manifold Gaskets			X		
Exhaust Pipes (Between Exhaust Manifold & Catalyst)			X		
Fuel Injectors	X		X	X	
Fuel Lines			X		
Fuel Rail			X		
Fuel Tank			X		
Fuel Tank Fairings (Chassis Fairings)					X
Fuel Tank Pressure Sensor			X		
Fuel Temperature Sensor	X			X	
Gap Reducing Fairings					X

DISCLAIMER: Failure to read or distribute this information does not provide exemption from compliance with the information contained herein. Specifications are subject to change without notice. Intended for general information only, not offered as customer's Warranty.

Components ¹	Diesel Emission 2010		Gasoline Evaporative Emission 2011 ²	GHG21	
	Detroit Engine	DTNA Installed ³	DTNA Installed	Detroit Engine	DTNA Installed ⁴
Gas Cap			X		
High Pressure Fuel Pump	X			X	
Ignition Coils			X		
Intake Manifold Pressure Sensor	X			X	
Intake Manifold Temperature Sensor	X			X	
Intake Throttle Valve & Adaptor	X			X	
Knock Sensors			X		
Malfunction Indicator Lamp (MIL)		X	X		X
Manifold Absolute Pressure (MAP) Sensor			X		
Mass Air Flow Sensor			X		
Motor Control Module (MCM)	X			X	
Neutral at Stop - Allison Automatic Transmissions ⁵					X
Neutral Coast - Detroit eCoast, Cummins/Eaton Smart-Coast ⁵					X
Oxygen (O ₂) Sensors			X		
Oil Fill Cap			X		
Oil Temperature Sensor	X			X	
Positive Crankcase Ventilation (PCV) Hose (Engine to Air Intake Pipe)			X		
Predictive Cruise Control - Detroit Intelligent Powertrain Management (IPM), Cummins Predictive Cruise Control					X
Purge Control Valve			X		
Rear Axles ⁵					X
Roof Spoilers					X
Side Extenders					X
Spark Plugs ⁶			X		
Spark Plug Wires			X		
Temperature-Barometric Air Pressure Sensor					X
Throttle Body			X		
Throttle Pedal			X		

DISCLAIMER: Failure to read or distribute this information does not provide exemption from compliance with the information contained herein. Specifications are subject to change without notice. Intended for general information only, not offered as customer's Warranty.

Components ¹	Diesel Emission 2010		Gasoline Evaporative Emission 2011 ²	GHG21	
	Detroit Engine	DTNA Installed ³	DTNA Installed	Detroit Engine	DTNA Installed ⁴
Tire Pressure Monitoring System					X
Tires ⁷					X
Transmissions ⁵					X
Transmission Control Module			X		
Transmission Speed Sensor			X		
Turbo Speed Sensor	X			X	
Turbocharger	X			X	
Vapor Lines			X		
Vehicle Speed Limiter					X
Vehicle Speed Sensor (Transmission Main Shaft)		X			X
Wait to Start Indicator/Lamp					X

¹ Per California Emission Control Systems Warranty Statement, DTNA must warrant the emission control system components for the vehicle in accordance with either Diesel Emission 2010 or Gasoline Evaporative Emission 2011, whichever is applicable.

² Coverage period is 5 years/50,000 miles (80 500 km), whichever occurs first.

³ The following are excluded under Emissions coverage but are covered under standard New Vehicle Warranty coverage:

- ATS ACM Mounting Bracket and Protective Cover
- DEF Tank Mounting Brackets/Hardware
- DEF Pump Mounting and Protective Cover

⁴ Diesel Emission 2010 components and emission-related defects in the marked components listed are included in this coverage. Coverage duration:

- Spark-ignition engines and light heavy-duty vehicles – 5 years/50,000 miles (80 500 km), whichever occurs first
- Compression ignition engines and medium and heavy heavy-duty vehicles – 5 years/100,000 miles (161 000 km), whichever occurs first

⁵ To the extent warranted under component manufacturers' GHG21 emission-related warranty responsibilities, as detailed in warranty documentation.

⁶ Spark plugs are warranted under Basic Chassis coverage or until the first required maintenance, whichever comes first.

⁷ Coverage period is 2 years/24,000 miles, whichever occurs first. File claims directly to tire manufacturer.

3.7 Coverage Exclusions

The following components, parts, or conditions are specifically excluded from coverage under this Warranty.

Note: Parts found defective prior to installation must be filed as a Parts Adjustment Request (PAR) to the Parts Distribution Center (PDC).

Aerodynamic Wheel Covers

Aerodynamic wheel covers are excluded from coverage under Warranty.

Note: Mounting loose covers on Freightliner Cascadia trucks may be reimbursed; varies by model/specifications.

DISCLAIMER: Failure to read or distribute this information does not provide exemption from compliance with the information contained herein. Specifications are subject to change without notice. Intended for general information only, not offered as customer's Warranty.

Air Springs

Tolerance buildup can occur during the assembly process of the rear suspension and rear cab air springs, and can cause the springs to have the appearance of being crooked, misaligned, or improperly installed. This tolerance buildup is not detrimental to the operation of the vehicle and will not have an effect on either the quality of the ride or the durability of the components or vehicle. Straightening of these springs is not covered under Warranty.

Alignment of Axles/Wheels/Steering Wheel

Each DTNA vehicle manufacturing plant uses an integrated alignment system to align axles and wheels and to center the steering wheel to DTNA specifications. Realignment or readjustment of these items, including steering stops and steering poppets, is not covered under Warranty.

Any special alignment settings at the request of the Owner must be handled between the service location and Owner after delivery from factory. These special adjustments are not covered under Warranty.

Axle Breather Vents

During the manufacturing process, an oil run or drip stain may appear at the breather vent. Removing the vent, applying pipe sealant to the threaded vent fitting and re-installing the vent is unnecessary. Removing the axle breather vent and re-sealing the threaded fitting is not covered under this Warranty.

Cab Interior Components

The repair or replacement of cab interior components that are rendered unserviceable due to normal wear or abuse are not covered under this Warranty.

These components include, but are not limited to:

- Curtains
- Floor coverings (including floor mats)
- Painted trim components
- Steering wheel
- Steering wheel wrap
- Upholstery
- Window shades

Chrome Surfaces, Aluminum, and Stainless Steel Components

The following items ARE covered under this Warranty:

- Chrome peeling off in sheets
- Chrome cut at mounting bolts due to over-torque at the factory
- Bubbles in the chrome that are not caused by rock chips and/or general rust conditions
- Isolated rust along seams or welds

The following items are NOT covered under this Warranty:

- General rust (e.g., rust on the unfinished backside of a bumper)

DISCLAIMER: Failure to read or distribute this information does not provide exemption from compliance with the information contained herein. Specifications are subject to change without notice. Intended for general information only, not offered as customer's Warranty.

- Dimpling at the mounting bolts
- Staining, bluing, and/or yellowing that can be cleaned with a quality cleaning product
- Rust, pits, and/or nicks caused by road wash or road debris breaking the chrome surface
- Streaks/stains/corrosion caused by severe wash solutions or corrosive road salts/chemicals

Claims pertaining to failures of chrome surfaces, aluminum, and stainless steel components will not be processed unless a clear photo is provided that adequately shows the defect.

Clutch Adjustment

Clutch adjustments are normally required due to clutch wear and are considered normal maintenance. However, if the clutch adjustment is found to be outside of Company specifications during, or prior to, product in-service, a claim will be accepted on a one-time basis.

Claims for clutch adjustments will not be accepted unless the adjustment is found to be outside of Company specifications using the special clutch adjustment measuring tools provided by Company (e.g., adjusting the clutch to satisfy feel will not be accepted as Warranty).

Competition

Warranty will become void on any product that is used in competition including, but not limited to:

- Racing
- Tractor pulls
- Other motor sports

Consumable Parts

Parts that are subject to consumption during their normal service life and are routinely replaced during normal maintenance services are covered up to 15,000 miles (24 000 km) for all DTNA vehicles except TBB bodies and chassis. TBB consumable parts are covered up to 30 calendar days from the date of in-service. These items are:

- Antennas (exception: satellite radio antennas)
- Ashtrays
- Belts
- Brake linings
- Cigarette lighter assembly
- Clutch brake
- Clutch linings
- Data logger batteries
- Desiccant cartridges
- Fire extinguishers
- Flash tubes
- Fluorescent ballast and tubes
- Fuses
- Gladhand
- Hosetennas

DISCLAIMER: Failure to read or distribute this information does not provide exemption from compliance with the information contained herein. Specifications are subject to change without notice. Intended for general information only, not offered as customer's Warranty.

- Light bulbs*
- Lower center bumper air dam
- Mattresses
- Mud flaps
- Mud flap mounting brackets
- Caps (including, but not limited to, DEF, fuel, radiator, surge tank)
- Receiver-drier filter
- Trailer air hoses
- Trailer electrical cables
- Windshield washer nozzles
- Wiper arms and blades (TBB makes - wiper blades only)

* *Sealed light and LED assemblies are not considered consumable.*

The cost of consumable parts which are not reusable due to needed warrantable repairs is covered by this Warranty; examples include but are not limited to:

- Antifreeze
- Coolant
- Filters
- Fluids
- Grease/lubricants
- Oil

Corrosion

Coverage provides Warranty against corrosion to any metal or metal alloy part of the vehicle. Rust or corrosion to specific components and/or caused by certain conditions are excluded from all Company Warranty coverage and will not be paid under Basic Vehicle, Cab Structure, Cab Corrosion, Aftermarket Parts Warranty, or Extended Service Coverage.

Exclusions to corrosion Warranty include, but are not limited to, the following:

- Corrosion caused by general rust (e.g., rust on the unfinished backside of a bumper)
- Surface rust caused by chips or scratches in the paint or chrome surfaces
- Corrosion caused by high-pressure washing, severe wash solutions, cleaning solvents, detergents, compounds
- Corrosion caused by salinity in the environment or corrosive salts and/or chemicals used on the road surface
- Corrosion caused by acid rain or other industrial fallout
- Corrosion due to improper prevention measures during storage or use
- Corrosion or rust on tone rings, rotors, or drums
- Corrosion due to environmental damage (including ocean spray); airborne fallout (includes chemicals, tree sap, etc.), or other atmospheric conditions or other acts of nature
- Corrosion due to improper use, misuse, or abuse, negligence, including improper or insufficient maintenance

DISCLAIMER: Failure to read or distribute this information does not provide exemption from compliance with the information contained herein. Specifications are subject to change without notice. Intended for general information only, not offered as customer's Warranty.

Damage

The following are not covered under Warranty:

- Damage caused by use of the vehicle in any application that is not approved or is inconsistent with build specifications
- Damage resulting from improper use or misuse or abuse, negligence, improper operation, improper or insufficient maintenance (including, but not limited to, failure to maintain vehicle as outlined in the Driver's/Operator's and Maintenance Manuals), overloading, unauthorized modifications, accidents, or operation at excessive speeds
- Environmental damage, including airborne fallout (including chemicals, tree sap, etc.), or other atmospheric conditions, hailstones, or other acts of nature
- Damage caused by road salts/chemicals or cleaning solvents, detergents, or compounds
- Storage deterioration including damage caused by improper or insufficient storage or maintenance
- Damage caused by road hazards or road conditions
- Damage caused during shipping/transport after initial delivery of vehicle
- Damages (including peeling or flaking) caused by high-pressure washing or steam cleaning
- Damages occurring after in-service (e.g., from rock chips)
- Damages caused by customer-installed sealer in air conditioning systems
- Damages caused by non-factory approved engine horsepower/torque upgrades
- Damage due to vibration associated with misapplication or improper operation of drivetrain components
- Damage due to terrorist activities
- Damage due to acts of war

Engine

Any DTNA engine in a vehicle on which odometer mileage has been changed so the mileage cannot be readily determined is excluded from Warranty.

Non-DTNA engines, including all of its components as supplied by the non-Company engine manufacturer, are excluded from Warranty but are warranted separately by the manufacturer of the engine. For non-DTNA engine warranty or service, contact the engine manufacturer's authorized sales and service facility.

Engine Brakes, Air Compressors, and Other Proprietary Engine Components

The engine manufacturer installs most air compressors and engine brakes. Any failure of a proprietary engine component or Jake Brake® component must be filed directly to the engine manufacturer.

Failures on Company engines and non-proprietary engine components can be filed through DTNA.

Exhaust System Clamps

During the early life of the vehicle or when the engine is cold, many exhaust clamps exhibit a soot trace. This condition is self-correcting and does not require adjustment, tightening, or replacement of the clamp. Claims for adjusting or tightening will not be paid under Warranty.

DISCLAIMER: Failure to read or distribute this information does not provide exemption from compliance with the information contained herein. Specifications are subject to change without notice. Intended for general information only, not offered as customer's Warranty.

Fifth Wheels

Adjustment of the locking mechanism, bushings, slide locking plungers, and the repair or replacement of lock guards are considered routine maintenance and are not covered under this Warranty.

Glass, Mirrors, Lens

Conditions excluded from Warranty include but are not limited to:

- Breakage
- Chips
- Scratches
- Cracks

Initial Operating Period

During a vehicle's Initial Operating Period (IOP), repair on components found loose and included on a scheduled maintenance table may be reimbursed by Company. The IOP for DTNA vehicles is as follows:

Make	IOP ¹
Freightliner, Western Star	Up to 15,000 miles/24 000 km ²
FCCC	Up to 25,000 miles/40 000 km ²
TBB Bodies and TBB Chassis ³	Up to 6 months from in-service date

¹ IOP does not apply to powertrain components.

² The IOP begins at zero (0) distance; the in-service distance does not affect the IOP distance limits.

³ TBB applications utilizing FCCC chassis retain the FCCC IOP separate from the TBB body.

Routine maintenance, servicing, and adjustment, as defined in the applicable Vehicle Maintenance Manual and Driver's Manual, are excluded from Warranty.

Periodic adjustment or re-torque of wheel bearings, wheel lug nuts, and suspension U-bolts are considered maintenance adjustments and are not covered under Warranty.

Vibrations, squeaks, rattles, loose fittings/clamps, hose fitting leaks, loose nuts/bolts/screws, and loose electrical connections may develop during the initial trip(s) of the vehicle; associated repairs/adjustments are covered under Basic Warranty unless the distance at which the condition occurs exceeds the published maintenance interval for the component.

DISCLAIMER: Failure to read or distribute this information does not provide exemption from compliance with the information contained herein. Specifications are subject to change without notice. Intended for general information only, not offered as customer's Warranty.

- Components included on a scheduled maintenance table that have loosened at a time or distance exceeding the first scheduled maintenance or outside the IOP, whichever is greater, are not covered under Warranty and are the responsibility of the customer.

Components Found Loose and Included on a Scheduled Maintenance Table	Prior to First Scheduled Maintenance	After First Scheduled Maintenance
Within IOP	File Claim	File Claim
Outside IOP	File Claim	Customer Responsibility

- Components that do not appear on scheduled maintenance tables are not subject to IOP limitations and are covered per the applicable coverage and exclusions.

Consumable items are addressed separately from IOP; see [Consumable Parts](#) elsewhere in this section for details.

Exclusions from Warranty during the IOP are:

- Cab, hood, and fender-mounted mirrors are adjusted at the factory but may be retracted by the transporter to prevent damage during transport. Subsequent adjustments and tightening of mirror mounting hardware are considered part of the routine preparation of the vehicle before Customer delivery. Claims for adjusting the mirrors or tightening of the attaching hardware will not be paid under Warranty during or after the IOP.
- Claims for re-routing of electrical wiring, hoses, or lines which meet DTNA's routing standards will not be paid under Warranty during or after the IOP. However, if during the IOP, evidence of a potential failure (e.g., rubbing or chaffing that would lead to a short in a wire or a hole in a hose/line) is found where a line, hose, or electrical wiring is mis-installed and is making contact with one of the following, a one-time claim for correcting the routing will be accepted:
 - Hot surface
 - Moving part
 - Sharp edge

Such claims should be filed with *28 - Part Improperly Installed* as the Cause code; photos that clearly show evidence of rubbing or chaffing due to mis-installation must be available upon request.

Note: Preventative re-routing for other conditions not listed above is not considered warrantable. However, if a line, hose, or electrical wiring actually fails (i.e., leaks or shorts) due to rubbing or chaffing on any surface, such failures are covered per the applicable coverage and exclusions.

- Final preparation of the vehicle for Customer delivery to include cleaning/vacuuming interior of cab, washing windows, washing the exterior of the vehicle, and polishing exterior chromed or painted surfaces are considered as ordering location responsibilities. Claims for these activities will not be paid under Warranty during or after the IOP.

Loose Components

During the manufacturing process, certain components are placed in the cab of the vehicle or strapped down to the chassis. It is the service location's responsibility to mount these shipped loose items in the correct location on the vehicle. Mounting the shipped loose items below will not be covered under Warranty.

These items include, but may not be limited to:

DISCLAIMER: Failure to read or distribute this information does not provide exemption from compliance with the information contained herein. Specifications are subject to change without notice. Intended for general information only, not offered as customer's Warranty.

- Aerodynamic wheel covers
 - Exception: Mounting covers on Freightliner Cascadia trucks may be reimbursed; varies by model/specifications
- Antennas
- Chrome lug nut covers
- Decals & paperwork
- Driver's pouch
- Fire extinguishers
- Jacks
- License plate brackets
- Mattress
- Reflectors with flares
- Reflectors without flares
- Spare wheels/tires
- Tire inflation hoses
- Trailer cables (air/electrical)
- Winter fronts

Misapplication of Product

The Warranty on any product used inconsistent with its specified vocation/application will be downgraded to the Warranty that is consistent with product use. Any and all claims associated with the misapplication of the product will be subject to chargeback.

Miscellaneous Expenses

Premium charges and work not directly related to the repair or replacement of a warranted part are not reimbursed, unless specifically stated elsewhere in the applicable Warranty coverage. Examples include, but are not limited to:

- Federal, state, provincial, and local taxes
- Travel expenses
- Loss of revenue
- Customer labor, including overtime labor
- Downtime
- Driver's expenses
- Cost of rental equipment
- Loss of cargo, including perishable cargo
- General housekeeping and bulk shop supplies (e.g., shop rags, solvents, sweeping compounds, coveralls, etc.)
- Communication charges
- Towing/road call assistance
- For non-powertrain component repairs, the removal, repair, or replacement of:

DISCLAIMER: Failure to read or distribute this information does not provide exemption from compliance with the information contained herein. Specifications are subject to change without notice. Intended for general information only, not offered as customer's Warranty.

- Components/parts and optional items that are not sold or installed by Company
- Equipment installed by a body builder, customer, or service location
- Dynamometer testing on non-Company engines after repairs have been performed
- Shop hardware supplies that are not itemized on the claim as “parts used” (e.g., common bolts, washers, nuts, tie straps, cotter pins, etc.)
- Time spent waiting at a counter to obtain a part, etc.
- Environmental fees, cleanup, or other charges
- Cost of emergency services

Modifications to Original Equipment

Company does not warrant product modifications or equipment installations unless performed at a Company Custom Truck Services (CTS) Center. In addition, the extra time necessary to remove body builder-installed items and/or equipment to work on a warrantable repair is not covered under this Warranty unless Company sells the complete chassis/body/equipment as a package.

If service locations or Customers perform any product modifications or equipment installations, to the extent these modifications or equipment installations adversely affect other vehicle components or vehicle performance, Company shall not accept any product liability or claims under the terms of the product Warranty. These claims become the sole responsibility of the person performing the modifications or equipment installations.

Paint

The following exclusions to paint warranty include, but are not limited to:

- Complete chassis re-painting to repair paint damages
- Damages occurring after in-service (e.g., from rock chips)
- Peeling/flaking caused by high-pressure washing or steam cleaning
- Rusting of painted bumpers
- Removal and/or replacement of decals, striping, and/or lettering not applied by Company

Specific areas of the vehicle are deliberately not painted or are not painted to any standard; paint repairs are not warrantable to such areas. These areas include:

- Underside of the hood, including the inside of the wheel wells
- Underside of the roof-mounted air fairings
- Underside of the exterior sun visor
- Inside of the side-mounted air fairings
- Inside of the bumper
- Aftertreatment devices

Gloss

Gloss claims pertaining to gloss issues on vehicles painted with low-gloss colors (as identified in the Truck/Bus Sales Order) will not be covered under Warranty.

DISCLAIMER: Failure to read or distribute this information does not provide exemption from compliance with the information contained herein. Specifications are subject to change without notice. Intended for general information only, not offered as customer's Warranty.

Routine Maintenance

Routine or preventative maintenance, servicing, and adjustment, as defined in the applicable Vehicle Maintenance Manual and Driver's Manual, are excluded from Warranty.

Periodic adjustment or re-torque of wheel bearings, wheel lug nuts, and suspension U-bolts are considered maintenance adjustments and are not covered under Warranty.

Vibrations, squeaks, rattles, loose fittings/clamps, hose fitting leaks, loose nuts/bolts/screws, and loose electrical connections may develop during the initial trip(s) of the vehicle and these types of repairs/adjustments are covered under Warranty one (1) time during the applicable IOP unless excluded above.

Reminder: After the IOP, these developments are the result of use and their repair/adjustment activities are considered routine maintenance and thus excluded from Warranty.

Tampering/Misuse

Conditions resulting from tampering, misuse, improper adjustments, alteration, accident, failure to use recommended fuel or non-performance of required maintenance services are not covered.

It is a violation of U.S. federal law to alter the engine, exhaust plumbing, after treatment system, diesel exhaust fluid system, or other vehicle components in any way that would bring the engine/vehicle out of compliance with certification requirements [Ref: 42 U.S.C. §7522(a)(3)]. It is the Owner's responsibility to maintain the vehicle so that it conforms to EPA regulations.

Test Products

Any product(s) used in testing must be identified to the Warranty Department and accommodations must be made for claims that relate to the test item(s).

Any product used in endurance testing, such as the Altoona Test, are void of all Warranty, including but not limited to New Product Warranty, Aftermarket Parts Warranty, Extended Service Coverage, or any Company additional or used truck coverage.

Tires and Tire Balancing

The tires are not covered under this Warranty, but are warranted separately by the tire manufacturer. Tire balancing is not covered under Warranty.

Transmissions (Non-Company)

Allison transmissions and components are not covered under this Warranty, but are warranted separately by Allison. Information regarding Allison's warranty is provided for informational purposes only and is subject to change. For warranty or service information, contact Allison's authorized sales and service facility.

Eaton Hybrid transmissions are not covered under this Warranty.

3.8 Transfer of Warranty

This Warranty is transferable to a subsequent Owner if it has not expired. To ensure the Owner receives proper Warranty recognition, the ownership information should be updated in OWL.

DISCLAIMER: Failure to read or distribute this information does not provide exemption from compliance with the information contained herein. Specifications are subject to change without notice. Intended for general information only, not offered as customer's Warranty.

3.9 Change of Owner Address Information

To ensure Company's ability to reach the current Owner with Recall and Field Service campaign information, the Owner's information must be updated whenever there is a change to the Owner's name or address.

3.10 Product Improvement

Company reserves the right to make improvements or changes to the product at any time without incurring any obligation to make such changes or improvements to any other vehicle.

3.11 Owner's Responsibilities

DTNA provides Owner's Warranty Information booklets for Company products. When the Owner first receives a Company product, the service location should review the Owner's Warranty Information booklet(s) with the Owner. It is important that the new Owner becomes familiar with the contents about Warranty, parts replacement that affects emission controls, and maintenance service. It is the Owner's responsibility to ensure the product is maintained as outlined in the Driver's/Operator's and Maintenance Manuals and to maintain the vehicle so that it conforms to EPA regulations.

To initiate Warranty, the customer must complete and sign the Warranty Start Form (WAR275); service locations keep the signed form on file and register the vehicle with DTNA for Warranty.

As soon as a problem exists, the Owner is responsible for presenting the product to an Authorized Service Location. The Warranty repairs should be completed in a reasonable amount of time. The Owner should also be aware that DTNA may deny Warranty coverage if the product has failed due to abuse, neglect, improper maintenance, or unapproved modifications. DTNA recommends that Owners retain all receipts regarding product maintenance but Company cannot deny Warranty solely for the lack of receipts.

DISCLAIMER: Failure to read or distribute this information does not provide exemption from compliance with the information contained herein. Specifications are subject to change without notice. Intended for general information only, not offered as customer's Warranty.